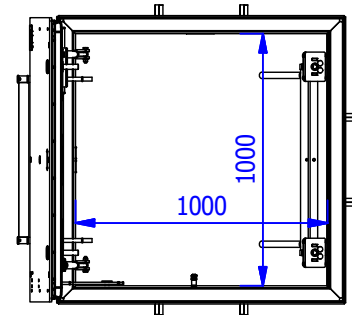
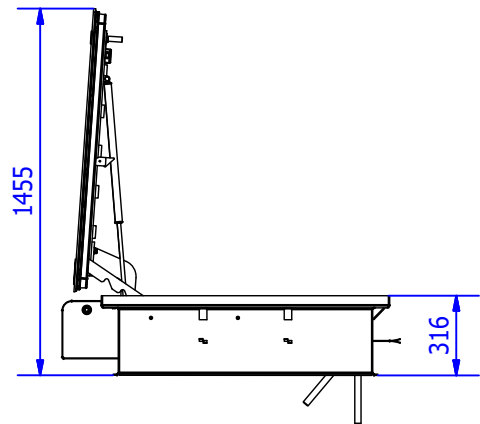
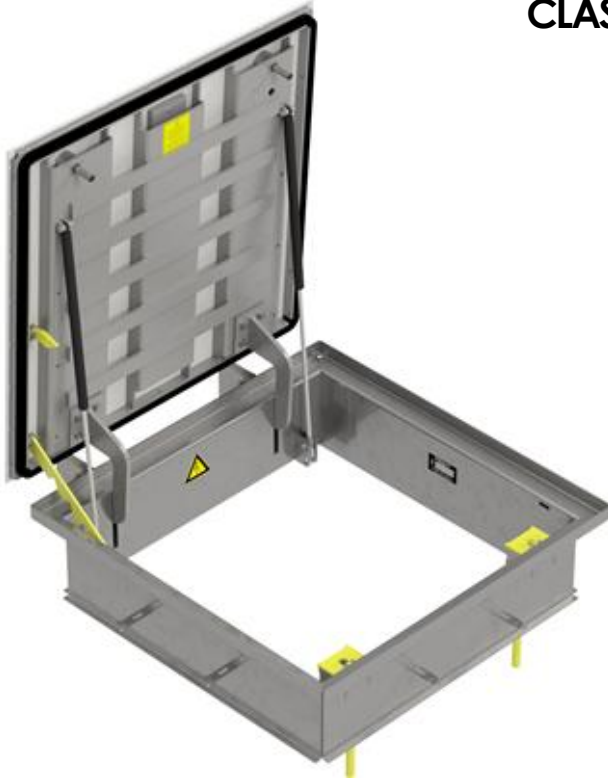


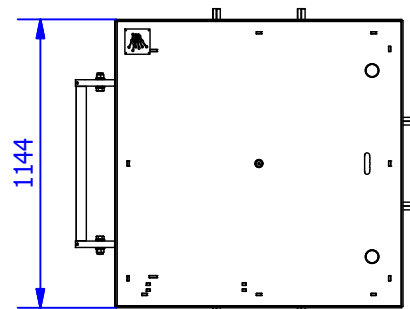
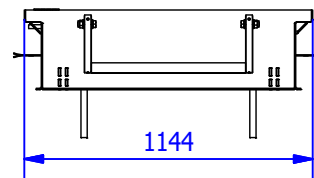
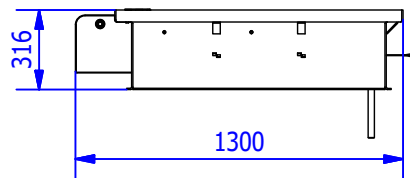
Access covers

TECHNICAL DATACARD

ENTRY ACCESS COVER 1000 x 1000 INTERIOR OPENING SYSTEM CLASS D400



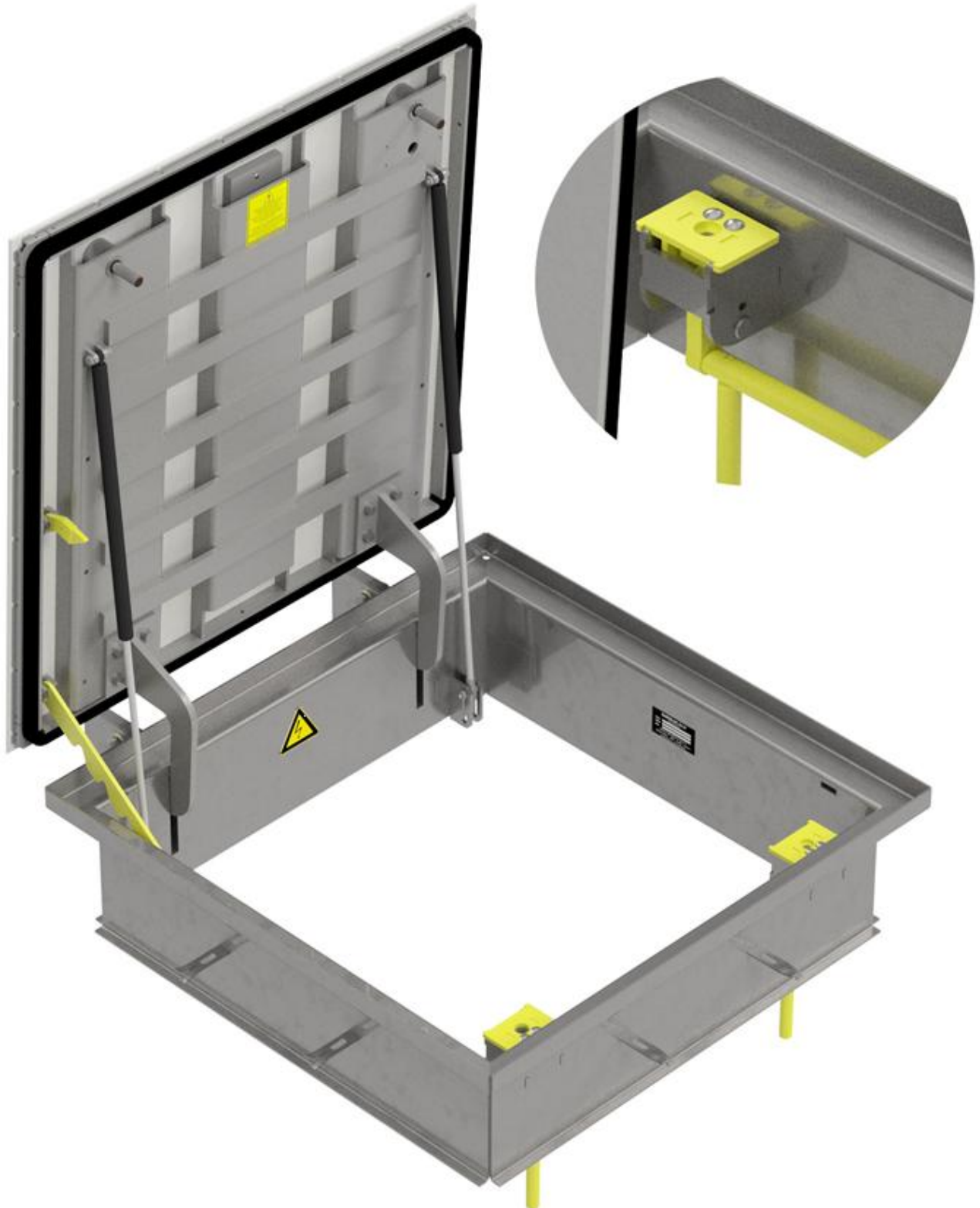
WIDTH	LENGTH	HEIGHT	ESTIMATED WEIGHT	FREE WIDE PASS
1144 mm.	1300 mm.	316 mm.	215 Kg	1000x1000 mm.
TYPE D-400 - UNE-EN 124 / WATERTIGHT.				
MADE OF CARBON STEEL S275JR/1.0044 AND TREATMENT ZINC Cr III + SEALED. / CORROSION CATEGORY C4.				
SAFETY LOCK SCREW ALUMINUM BRONZE / WITH SAFETY KEY SPECIAL.				
COVER CONSISTS OF A STAINLESS STEEL TEAR PLATE WITH SLIP RESISTANCE				
ADDITIONAL HELP FOR OPENING AND CLOSING BY A GAS ASSISTED SPRING DAMPERS.				
SECURITY SYSTEM WITH INTEGRATED ARRESTOR (INCORPORATED).				
INTERIOR OPENING SYSTEM (INCORPORATED)				
OPTIONS:				
ATTACK-PROOF (SAFETY LOCK).				
CARBON STEEL MADE AND PAINTED EPOXY.				
ADAPTED TO CUSTOMERS REQUEST. (LOGOS AND DISTINCTIVE)				



Aprox. weight 215 kg.

TECHNICAL DATACARD

**ENTRY ACCESS COVER 1000 x 1000 INTERIOR OPENING SYSTEM
CLASS D400**



- * Interior openingsystem - Antipanic
- * Optional: On customer request