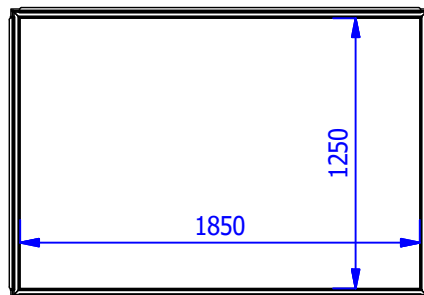
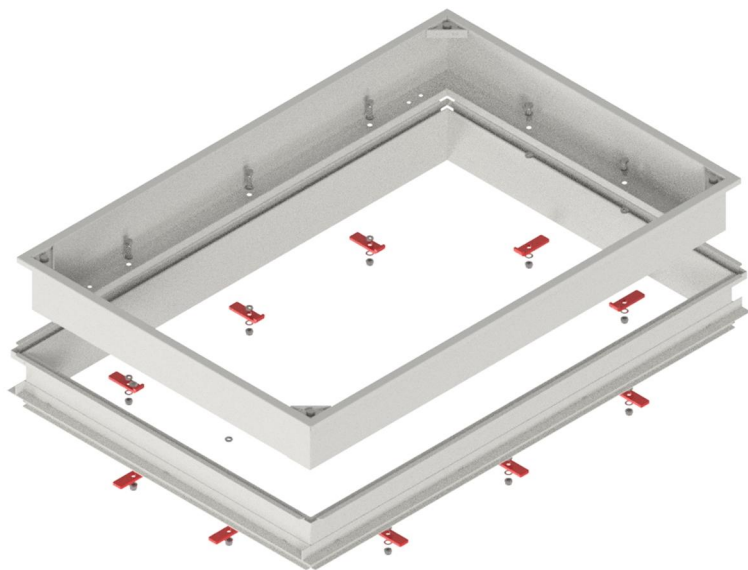


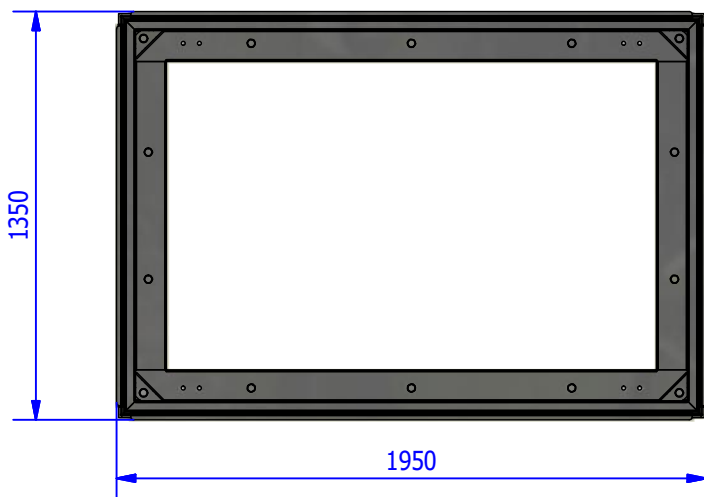
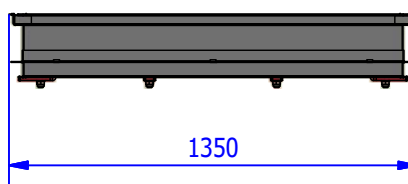
## Access covers

### TECHNICAL DATACARD

#### MATERIAL ENTRY COVER



WIDTH	LENGTH	HEIGHT	ESTIMATED WEIGHT	FREE WIDE PASS
1350 mm.	1950 mm	220 mm	115 Kg	1850x1250 mm.
WATERTIGHT				
MADE OF CARBON STEEL S275JR/1.0044 AND TREATMENT ZINC Cr III + SEALED. / CORROSION CATEGORY C4.				
CLOSURE SCREWS QUALITY 8.8				
FIXED COVER REFILLABLE				
OPTIONS::				
ADAPTED TO CUSTOMERS REQUEST. (LOGOS AND DISTINCTIVE)				
SPECIAL MEASURES				



Approx. weight . 115 kg.

