

BARESLAN S.L.U. & POLIONA
Access Covers

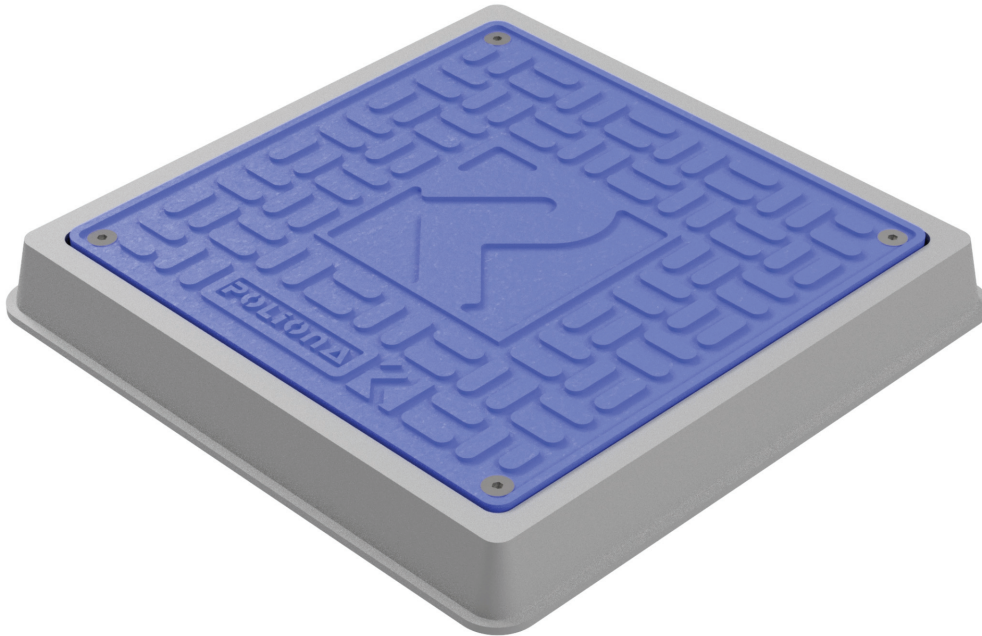
TAPAS COMPOSITE



www.bareslan.es

TECHNICAL DATACARD

ENTRY COVER 400X400
CLASS D400 / COMPOSITE



DATA TABLE

WIDTH	LENGTH	HEIGHT	ESTIMATED WEIGHT	FREE WIDE PASS
475 mm	475 mm	55 mm	10 Kg	363x363 mm

MADE OF VERY LIGHT - HIGH STRENGTH - DIELECTRIC COMPOSITE MATERIAL.

RUST AND CORROSION FREE MATERIAL.

IT DOES NOT GENERATE NOISE WHEN TRAFFIC PASSES, AND ITS NOISE POLLUTION IS ZERO.

RESISTANCE CATEGORY D400 ACCORDING TO UNE-EN 124-6:2015 / WATERPROOF AND ODOUR-TIGHT.

SLIP RESISTANCE (USRV) AVERAGE VALUE 62 / CLASS 3 - OUTDOOR AREAS.

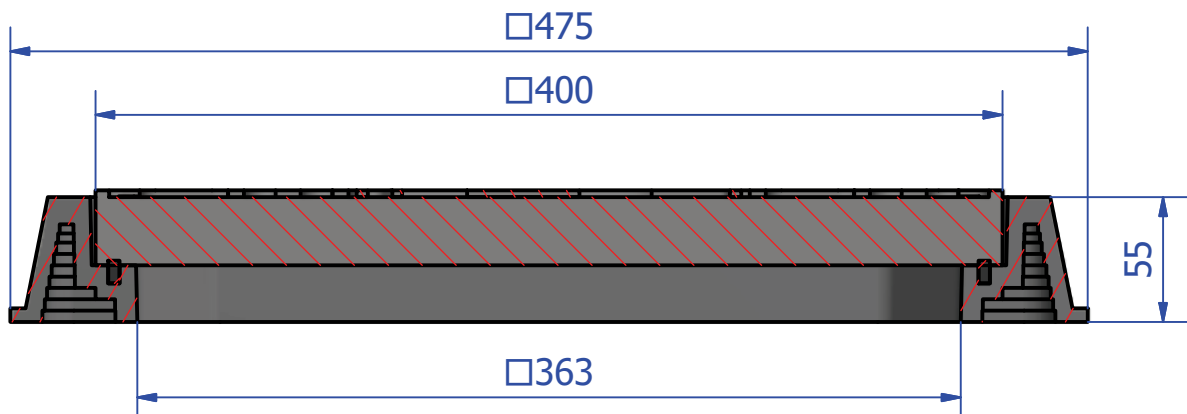
ERGONOMIC OPENING SYSTEM, ELIMINATING THE RISK OF INJURY.

OPTIONS:

DIFFERENT ANTI-VANDAL SECURITY SYSTEMS.

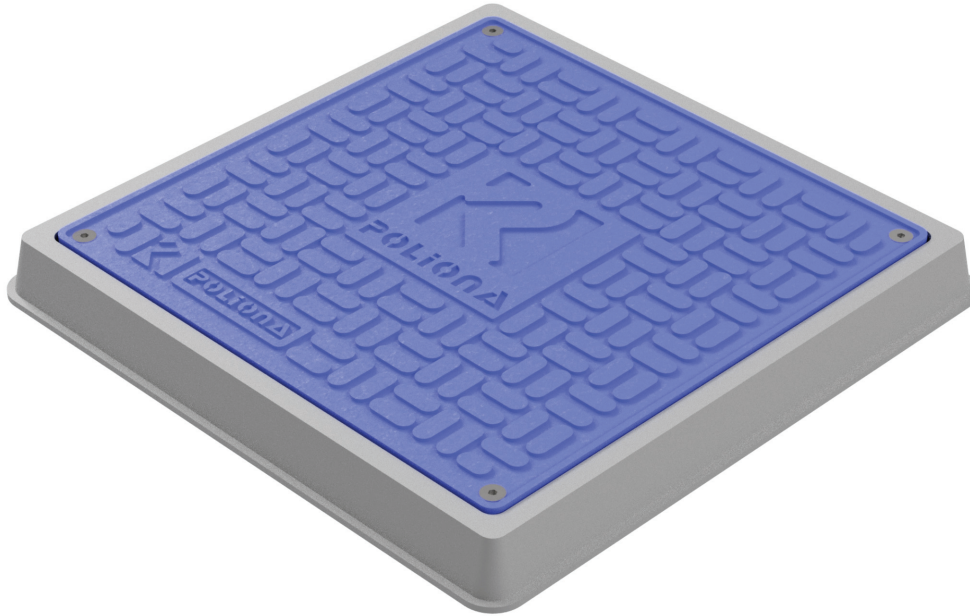
CUSTOMIZATION WITH CUSTOMER LOGOS AND BADGES.

MANUFACTURE IN DIFFERENT COLORS FOR PRODUCT IDENTIFICATION.



TECHNICAL DATACARD

ENTRY COVER 500X500
CLASS D400 / COMPOSITE



DATA TABLE

WIDTH	LENGTH	HEIGHT	ESTIMATED WEIGHT	FREE WIDE PASS
574 mm	574 mm	55 mm	14 Kg	465x465 mm

MADE OF VERY LIGHT - HIGH STRENGTH - DIELECTRIC COMPOSITE MATERIAL.

RUST AND CORROSION FREE MATERIAL.

IT DOES NOT GENERATE NOISE WHEN TRAFFIC PASSES, AND ITS NOISE POLLUTION IS ZERO.

RESISTANCE CATEGORY D400 ACCORDING TO UNE-EN 124-6:2015 / WATERPROOF AND ODOUR-TIGHT.

SLIP RESISTANCE (USRV) AVERAGE VALUE 62 / CLASS 3 - OUTDOOR AREAS.

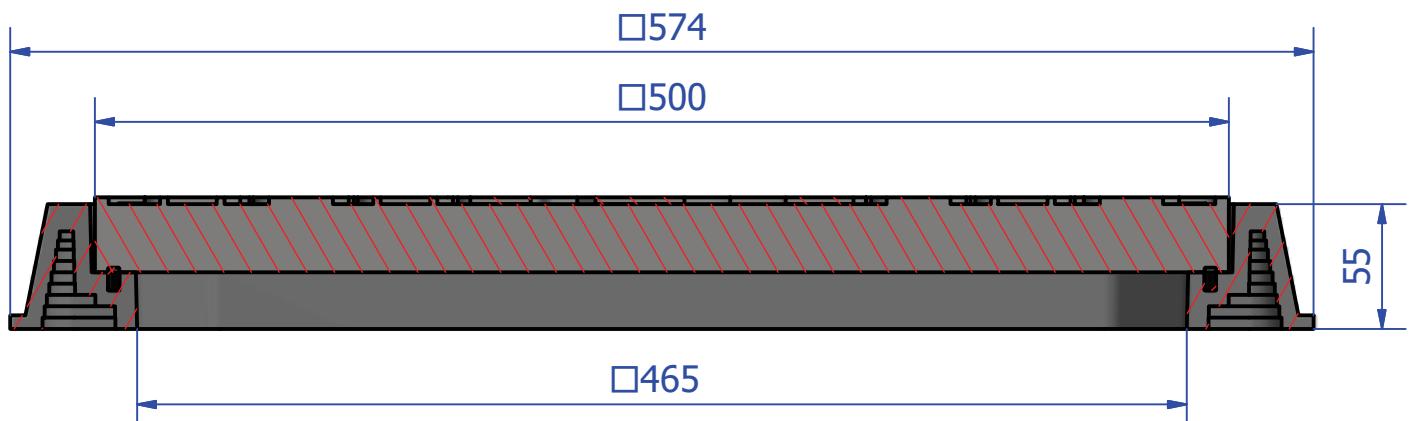
ERGONOMIC OPENING SYSTEM, ELIMINATING THE RISK OF INJURY.

OPTIONS:

DIFFERENT ANTI-VANDAL SECURITY SYSTEMS.

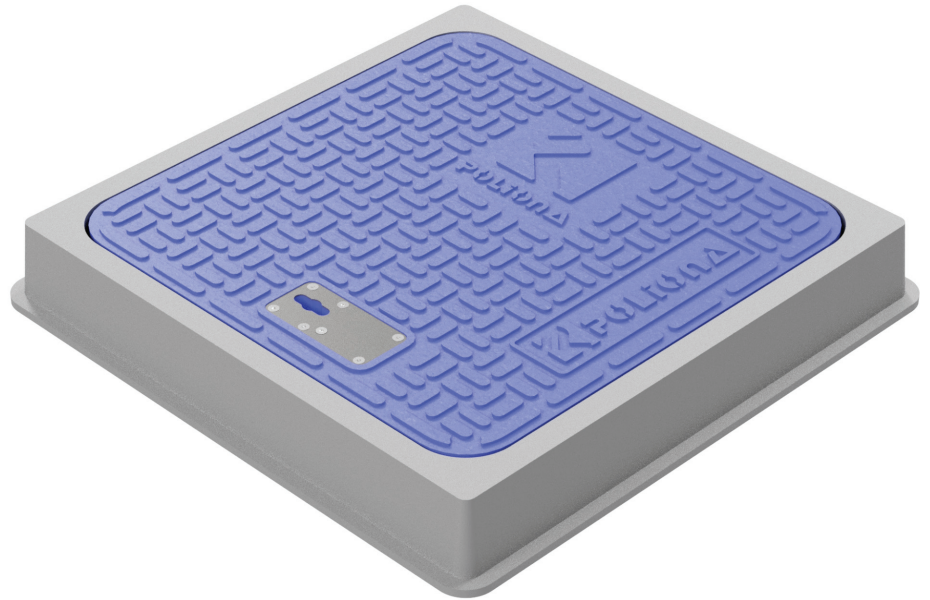
CUSTOMIZATION WITH CUSTOMER LOGOS AND BADGES.

MANUFACTURE IN DIFFERENT COLORS FOR PRODUCT IDENTIFICATION.



TECHNICAL DATACARD

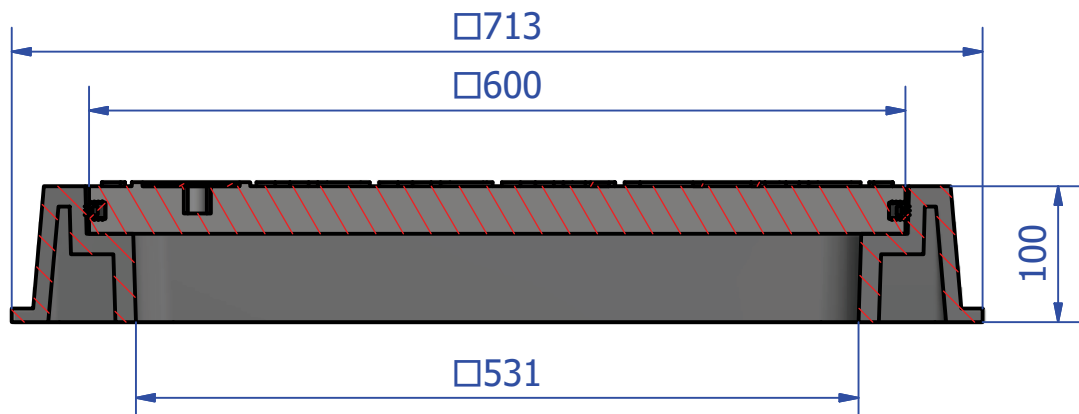
ENTRY COVER 600X600
CLASS D400 / COMPOSITE



OPENING LEVER

DATA TABLE

WIDTH	LENGTH	HEIGHT	ESTIMATED WEIGHT	FREE WIDE PASS
713 mm	713 mm	100 mm	30 Kg	531x531 mm
MADE OF VERY LIGHT - HIGH STRENGTH - DIELECTRIC COMPOSITE MATERIAL.				
RUST AND CORROSION FREE MATERIAL.				
IT DOES NOT GENERATE NOISE WHEN TRAFFIC PASSES, AND ITS NOISE POLLUTION IS ZERO.				
RESISTANCE CATEGORY D400 ACCORDING TO UNE-EN 124-6:2015 / WATERPROOF AND ODOUR-TIGHT.				
SLIP RESISTANCE (USRV) AVERAGE VALUE 62 / CLASS 3 - OUTDOOR AREAS.				
ERGONOMIC OPENING SYSTEM, ELIMINATING THE RISK OF INJURY.				
OPTIONS:				
DIFFERENT ANTI-VANDAL SECURITY SYSTEMS.				
CUSTOMIZATION WITH CUSTOMER LOGOS AND BADGES.				
MANUFACTURE IN DIFFERENT COLORS FOR PRODUCT IDENTIFICATION.				



TECHNICAL DATACARD

COMPOSITE PHOTOVOLTAIC COVER MOD. 600X600 WITH
GAS SPRINGS AND WITH MANHOLE
CLASS D400 / COMPOSITE



OPENING LEVER

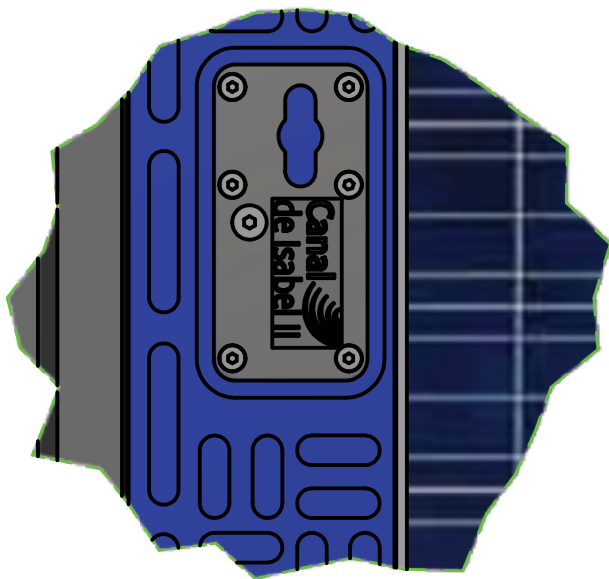
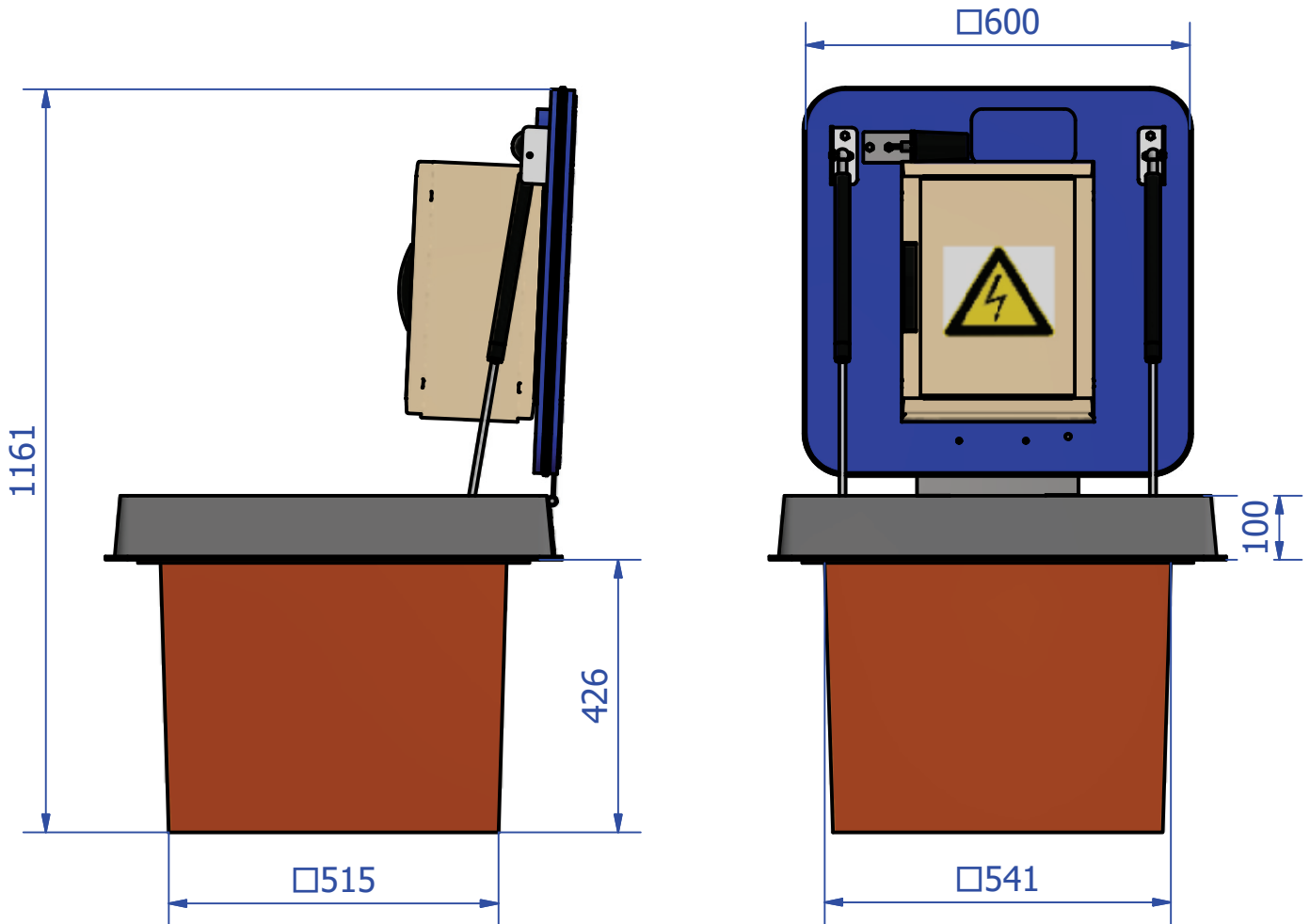


DATA TABLE

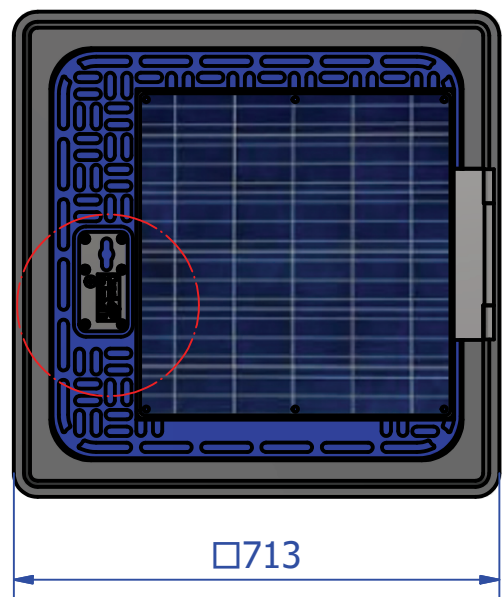
WIDTH	LENGTH	HEIGHT	ESTIMATED WEIGHT	FREE WIDE PASS
713 mm	713 mm	100 mm	38 Kg	531x531 mm
MADE OF VERY LIGHT - HIGH STRENGTH - DIELECTRIC COMPOSITE MATERIAL.				
RUST AND CORROSION FREE MATERIAL.				
DESIGNED AND MANUFACTURED ACCORDING TO UNE-EN 124-6:2015 / WATERPROOF AND ODOUR-TIGHT.				
ERGONOMIC OPENING SYSTEM, ELIMINATING RISK OF INJURY (CANE OPENING).				
OPENING AND CLOSING ASSISTED BY GAS SPRINGS. HINGED LID WITH 92° OPENING.				
PHOTOVOLTAIC PANEL INSTALLED MOD. SOLARA / 35WP POWER WALKABLE.				
MANHOLE FOR STORAGE AND PROTECTION OF ELEMENTS, SOLIDARY AND SEALED TO THE LID.				
VANDAL-PROOF SECURITY SYSTEMS FOR CANE ACCESS.				
PRE-INSTALLATION AND SUPPLY OF MOD. PNZ-43 (IP-66).				
PERSONALIZED WITH THE CLIENT'S LOGO AND LOGO.				

TECHNICAL DATACARD

COMPOSITE PHOTOVOLTAIC COVER MOD. 600X600 WITH
GAS SPRINGS AND WITH MANHOLE
CLASS D400 / COMPOSITE

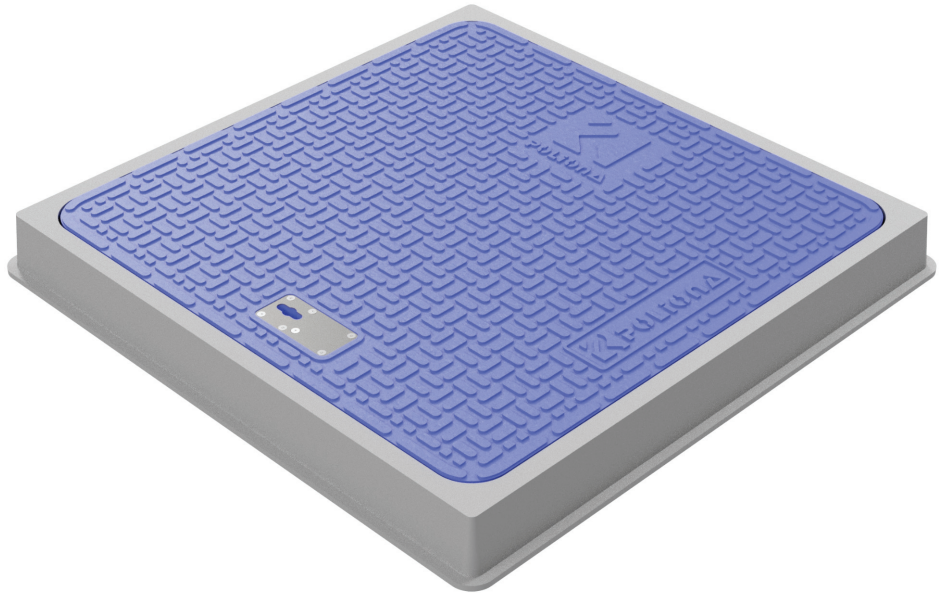


SAFETY DETAIL ACCESS POLE AND LOGO



TECHNICAL DATACARD

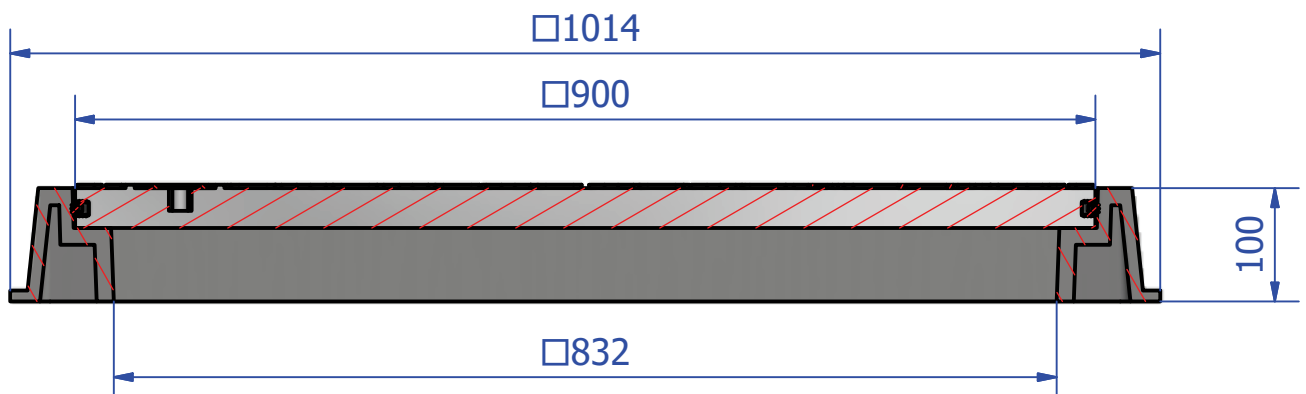
ENTRY COVER 900X900
CLASS D400 / COMPOSITE



BASTON APERTURA

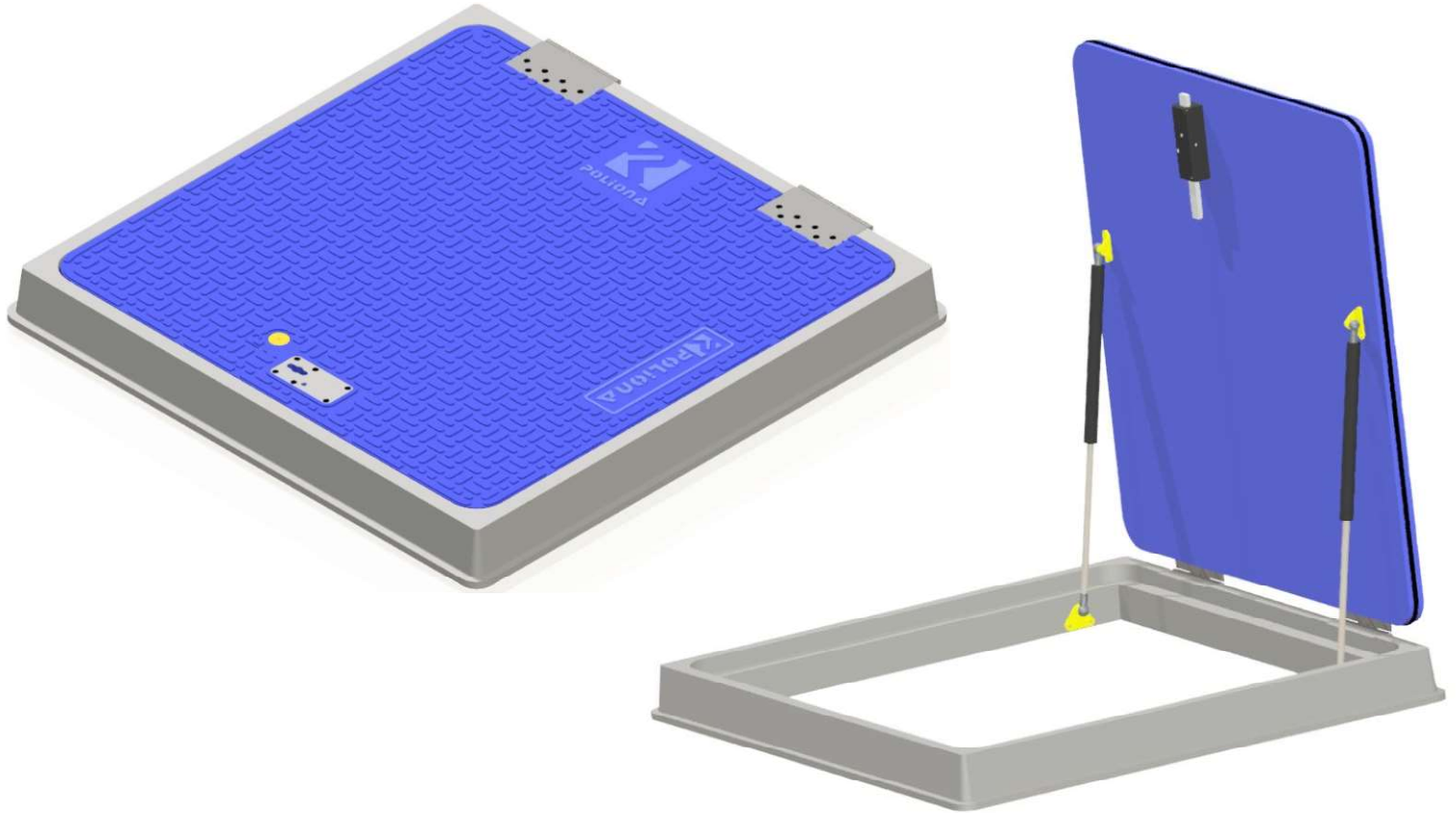
DATA TABLE

WIDTH	LENGTH	HEIGHT	ESTIMATED WEIGHT	FREE WIDE PASS
1014 mm	1014 mm	100 mm	58 Kg	832x832 mm
MADE OF VERY LIGHT - HIGH STRENGTH - DIELECTRIC COMPOSITE MATERIAL.				
RUST AND CORROSION FREE MATERIAL.				
IT DOES NOT GENERATE NOISE WHEN TRAFFIC PASSES, AND ITS NOISE POLLUTION IS ZERO.				
RESISTANCE CATEGORY D400 ACCORDING TO UNE-EN 124-6:2015 / WATERPROOF AND ODOUR-TIGHT.				
SLIP RESISTANCE (USRV) AVERAGE VALUE 62 / CLASS 3 - OUTDOOR AREAS.				
ERGONOMIC OPENING SYSTEM, ELIMINATING THE RISK OF INJURY.				
OPTIONS:				
DIFFERENT ANTI-VANDAL SECURITY SYSTEMS.				
CUSTOMIZATION WITH CUSTOMER LOGOS AND BADGES.				
MANUFACTURE IN DIFFERENT COLORS FOR PRODUCT IDENTIFICATION.				



TECHNICAL DATACARD

ENTRY COVER 900X900
CLASE D400 / COMPOSITE - HINGED



DATA TABLE

WIDTH	LENGTH	HEIGHT	ESTIMATED WEIGHT	FREE WIDE PASS
1014 mm	1014 mm	110 mm	58 KG	832x832 mm

MADE OF VERY LIGHT - HIGH STRENGTH - DIELECTRIC COMPOSITE MATERIAL.

RUST AND CORROSION FREE MATERIAL.

IT DOES NOT GENERATE NOISE WHEN TRAFFIC PASSES, AND ITS NOISE POLLUTION IS ZERO

RESISTANCE CATEGORY D400 ACCORDING TO UNE-EN 124-6:2015 / WATERPROOF AND ODOUR-TIGHT.

SLIP RESISTANCE (USRV) AVERAGE VALUE 62 / CLASS 3 - OUTDOOR AREAS.

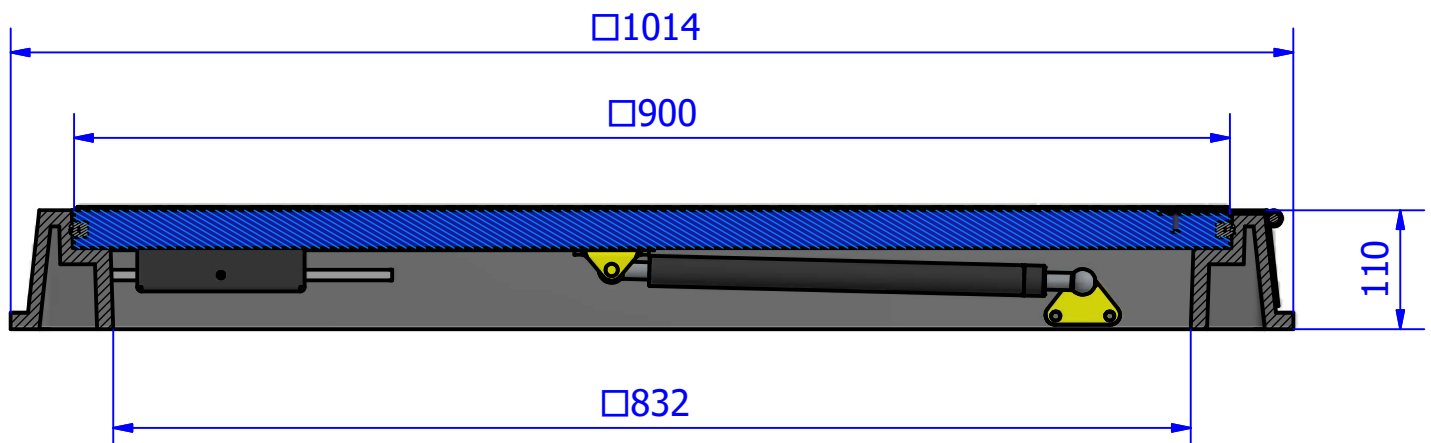
OPENING AND CLOSING ASSISTED BY GAS SPRINGS (HINGED)

ERGONOMIC OPENING SYSTEM, ELIMINATING THE RISK OF INJURY.

OPTIONS:

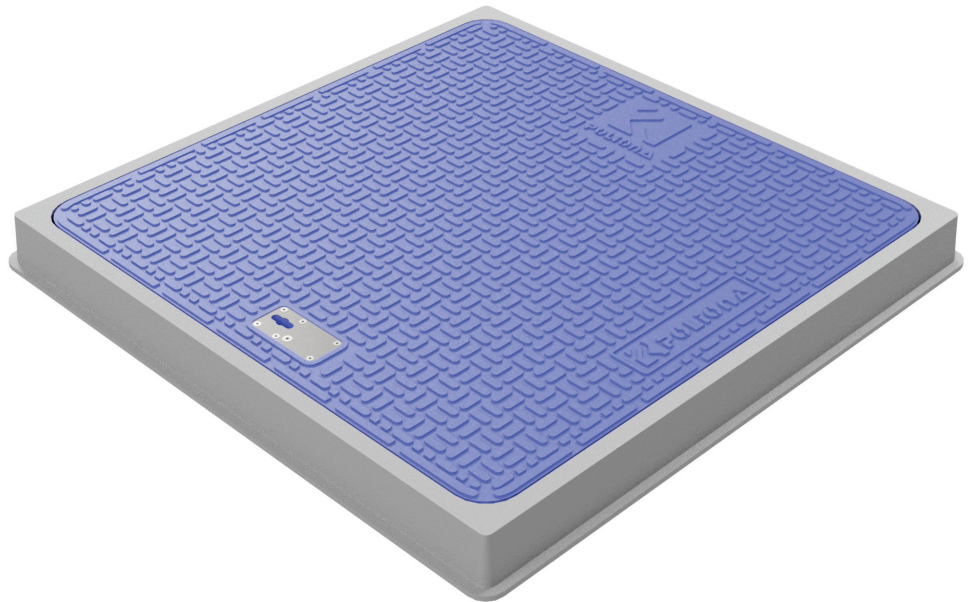
DIFFERENT ANTI-VANDAL SECURITY SYSTEMS.

CUSTOMIZATION WITH CUSTOMER LOGOS AND BADGES.



TECHNICAL DATACARD

ENTRY COVER 1000X1000
CLASS D400 / COMPOSITE



OPENING LEVER

DATA TABLE

WIDTH	LENGTH	HEIGHT	ESTIMATED WEIGHT	FREE WIDE PASS
1187 mm	1187 mm	100 mm	88 Kg	1005x1005 mm

MADE OF VERY LIGHT - HIGH STRENGTH - DIELECTRIC COMPOSITE MATERIAL.

RUST AND CORROSION FREE MATERIAL.

IT DOES NOT GENERATE NOISE WHEN TRAFFIC PASSES, AND ITS NOISE POLLUTION IS ZERO.

RESISTANCE CATEGORY D400 ACCORDING TO UNE-EN 124-6:2015 / WATERPROOF AND ODOUR-TIGHT.

SLIP RESISTANCE (USRV) AVERAGE VALUE 62 / CLASS 3 - OUTDOOR AREAS.

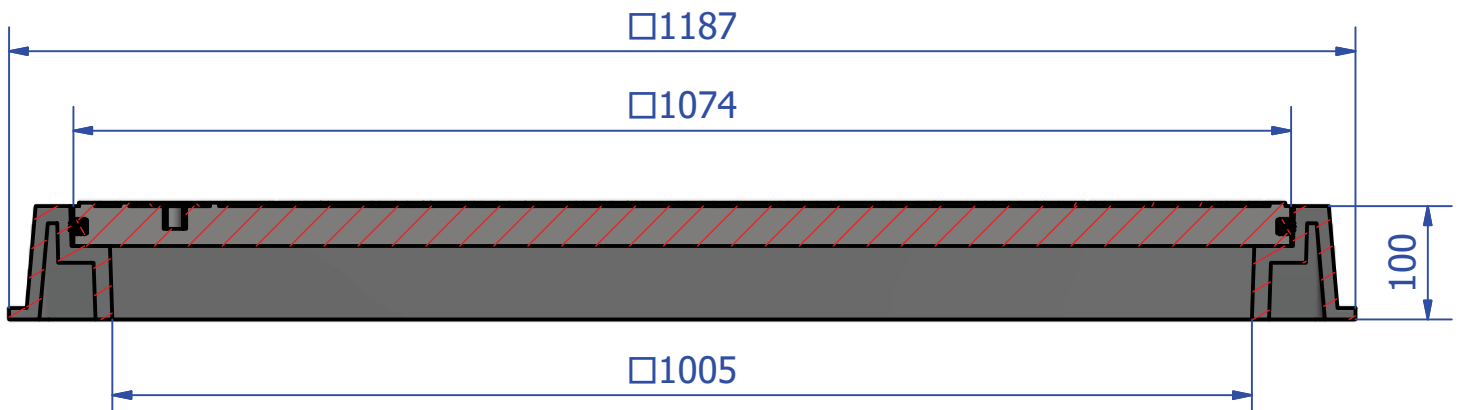
ERGONOMIC OPENING SYSTEM, ELIMINATING THE RISK OF INJURY.

OPTIONS:

DIFFERENT ANTI-VANDAL SECURITY SYSTEMS.

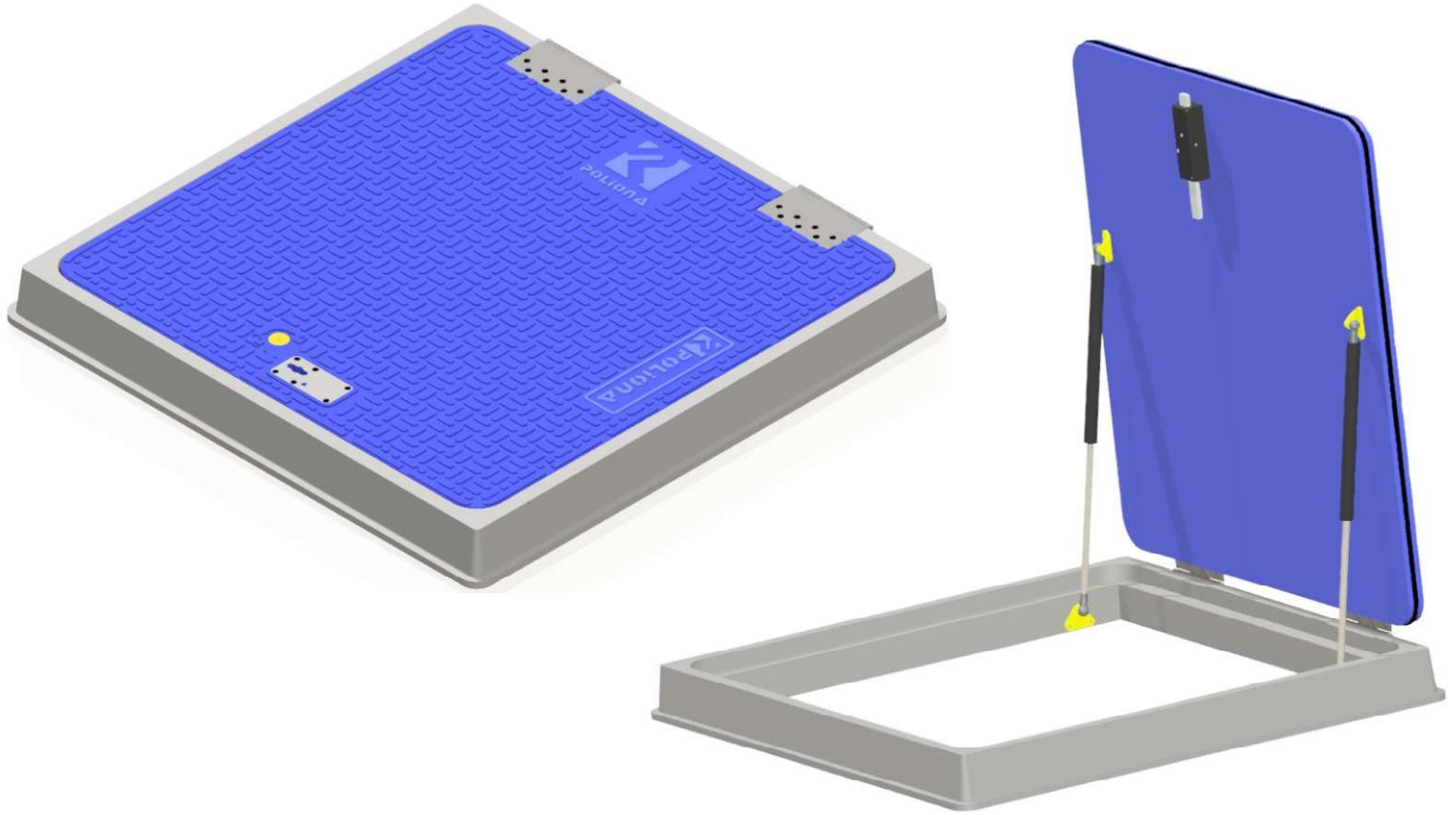
CUSTOMIZATION WITH CUSTOMER LOGOS AND BADGES.

MANUFACTURE IN DIFFERENT COLORS FOR PRODUCT IDENTIFICATION.



TECHNICAL DATACARD

ENTRY COVER 1000X1000
CLASS D400 / COMPOSITE - HINGED



DATA TABLE

WIDTH	LENGTH	HEIGHT	ESTIMATED WEIGHT	FREE WIDE PASS
1187 mm	1187 mm	110 mm	88 KG	1005x1005 mm

MADE OF VERY LIGHT - HIGH STRENGTH - DIELECTRIC COMPOSITE MATERIAL.

RUST AND CORROSION FREE MATERIAL.

IT DOES NOT GENERATE NOISE WHEN TRAFFIC PASSES, AND ITS NOISE POLLUTION IS ZERO

RESISTANCE CATEGORY D400 ACCORDING TO UNE-EN 124-6:2015 / WATERPROOF AND ODOUR-TIGHT.

SLIP RESISTANCE (USRV) AVERAGE VALUE 62 / CLASS 3 - OUTDOOR AREAS.

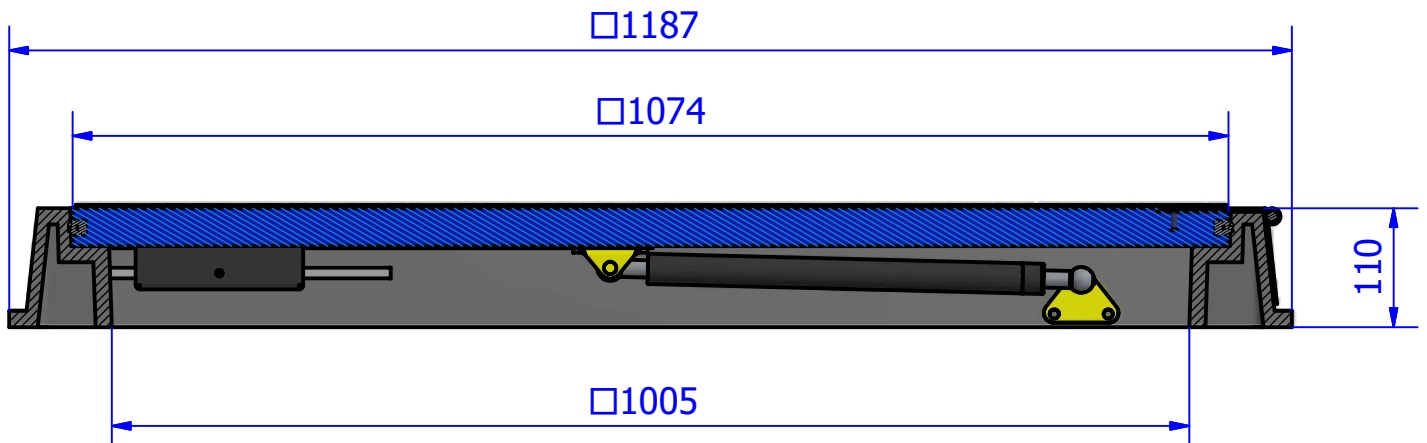
OPENING AND CLOSING ASSISTED BY GAS SPRINGS (HINGED)

ERGONOMIC OPENING SYSTEM, ELIMINATING THE RISK OF INJURY.

OPTIONS:

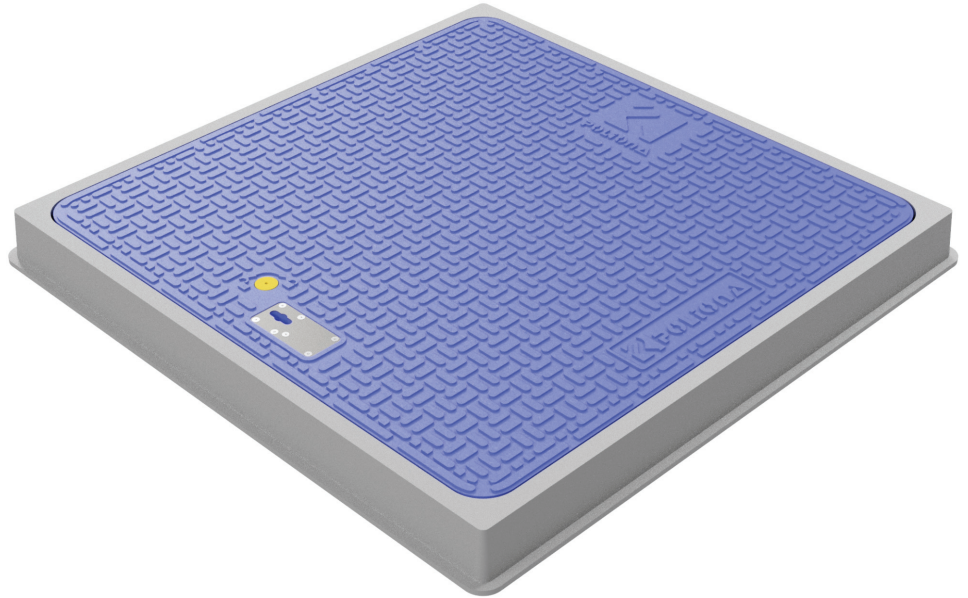
DIFFERENT ANTI-VANDAL SECURITY SYSTEMS.

CUSTOMIZATION WITH CUSTOMER LOGOS AND BADGES.



TECHNICAL DATACARD

ENTRY COVER 1000X1000
CLASS E600 / COMPOSITE



OPENING LEVER

DATA TABLE

WIDTH	LENGTH	HEIGHT	ESTIMATED WEIGHT	FREE WIDE PASS
1187 mm	1187 mm	100 mm	125 Kg	1005x1005 mm

MADE OF VERY LIGHT - HIGH STRENGTH - DIELECTRIC COMPOSITE MATERIAL.

RUST AND CORROSION FREE MATERIAL.

IT DOES NOT GENERATE NOISE WHEN TRAFFIC PASSES, AND ITS NOISE POLLUTION IS ZERO.

RESISTANCE CATEGORY E600 ACCORDING TO UNE-EN 124-6:2015 / WATERPROOF AND ODOUR-TIGHT.

SLIP RESISTANCE (USRV) AVERAGE VALUE 62 / CLASS 3 - OUTDOOR AREAS.

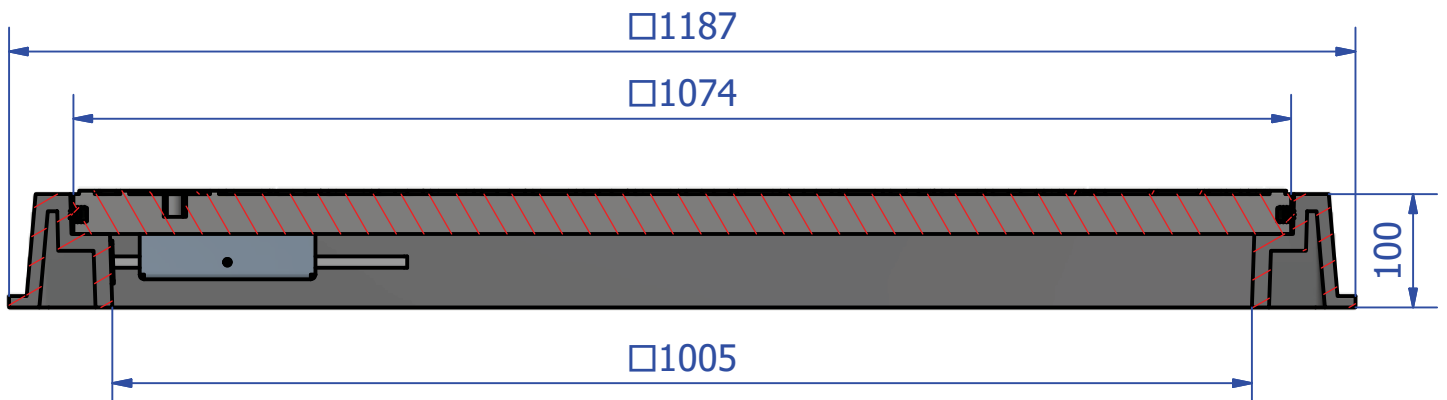
ERGONOMIC OPENING SYSTEM, ELIMINATING THE RISK OF INJURY.

OPTIONS:

DIFFERENT ANTI-VANDAL SECURITY SYSTEMS.

CUSTOMIZATION WITH CUSTOMER LOGOS AND BADGES.

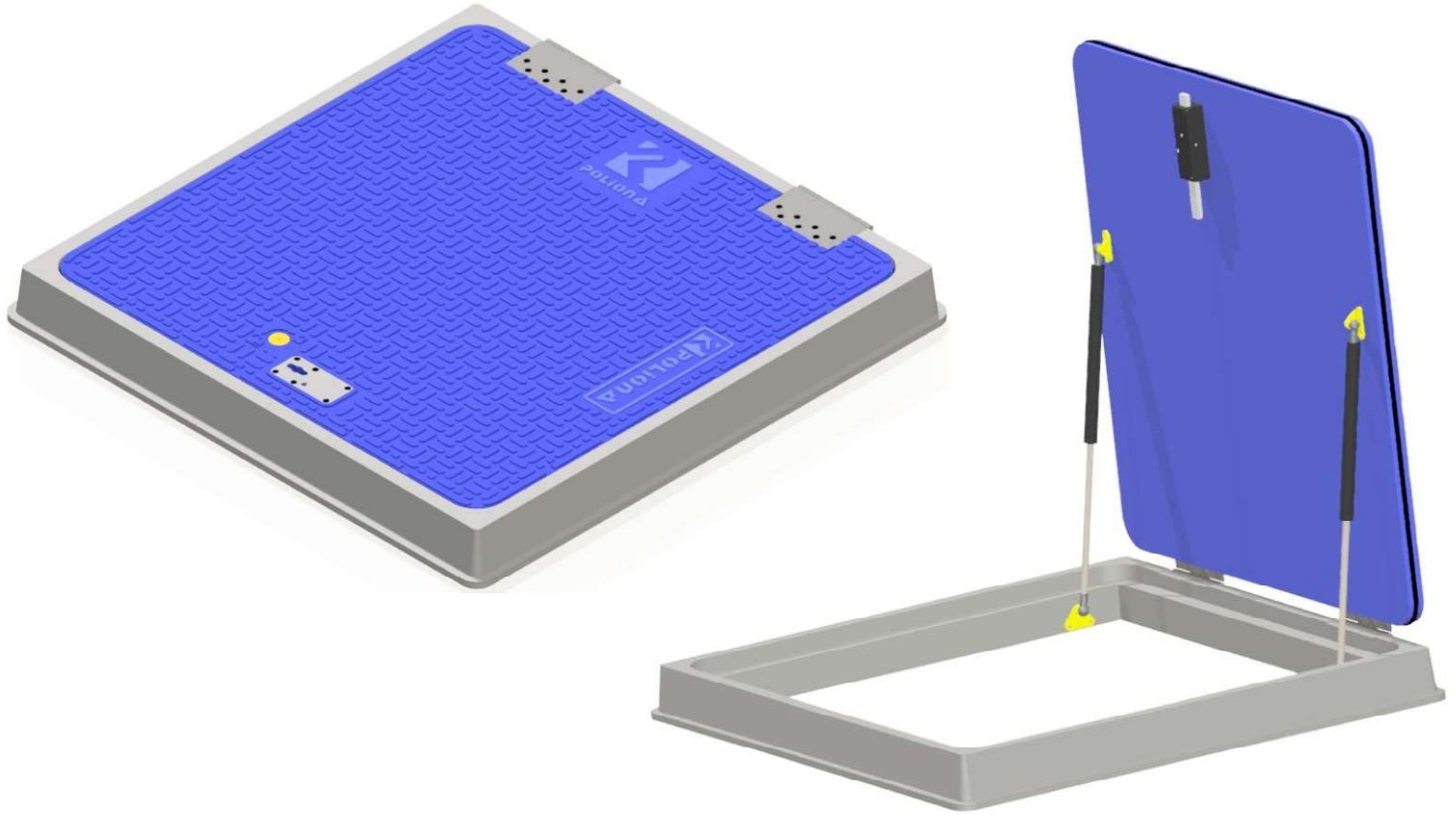
MANUFACTURE IN DIFFERENT COLORS FOR PRODUCT IDENTIFICATION.



TECNICAL DATACARD

ENTRY COVER 1000X1000

CLASS E600 / COMPOSITE - HINGED



DATA TABLE

WIDTH	LENGTH	HEIGHT	ESTIMATED WEIGHT	FREE WIDE PASS
1187 mm	1187 mm	110 mm	125 KG	1005x1005 mm

MADE OF VERY LIGHT - HIGH STRENGTH - DIELECTRIC COMPOSITE MATERIAL.

RUST AND CORROSION FREE MATERIAL.

IT DOES NOT GENERATE NOISE WHEN TRAFFIC PASSES, AND ITS NOISE POLLUTION IS ZERO

RESISTANCE CATEGORY E600 ACCORDING TO UNE-EN 124-6:2015 / WATERPROOF AND ODOUR-TIGHT.

SLIP RESISTANCE (USRV) AVERAGE VALUE 62 / CLASS 3 - OUTDOOR AREAS.

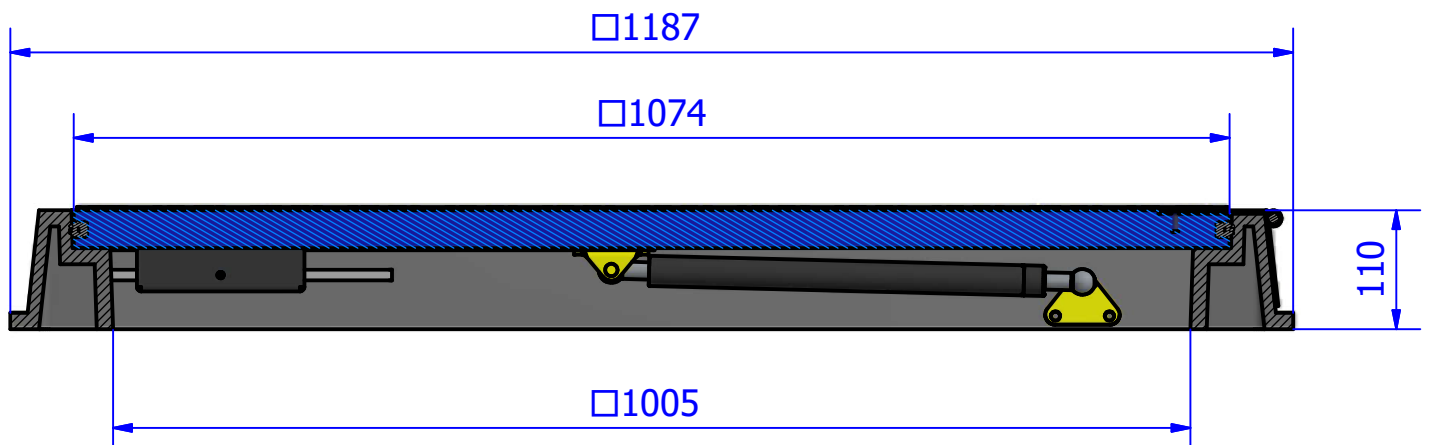
OPENING AND CLOSING ASSISTED BY GAS SPRINGS (HINGED)

ERGONOMIC OPENING SYSTEM, ELIMINATING THE RISK OF INJURY.

OPTIONS:

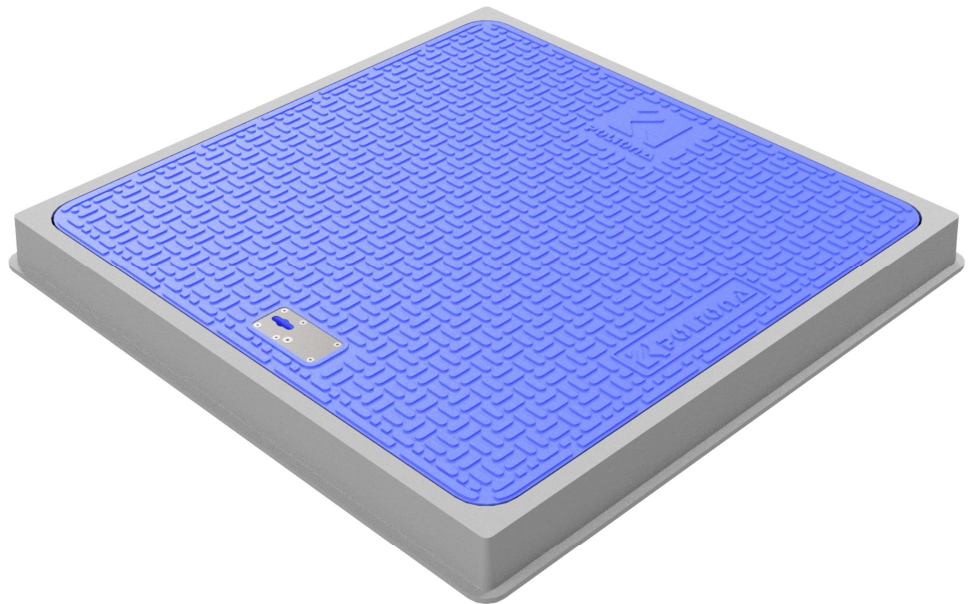
DIFFERENT ANTI-VANDAL SECURITY SYSTEMS.

CUSTOMIZATION WITH CUSTOMER LOGOS AND BADGES.



TECHNICAL DATACARD

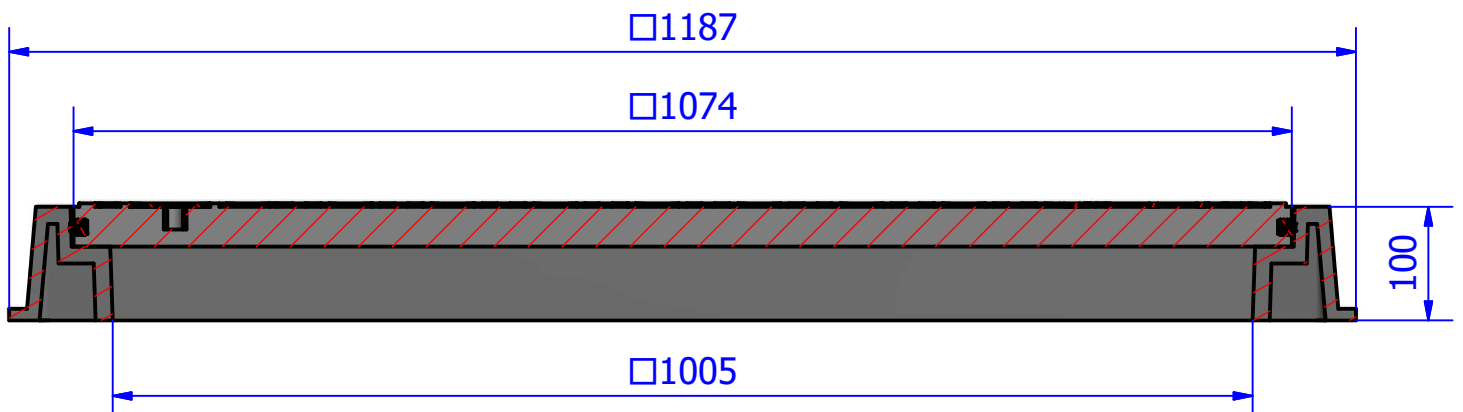
ENTRY COVER 1000X1000
CLASS F900 / COMPOSITE



OPENING LEVER

DATA TABLE

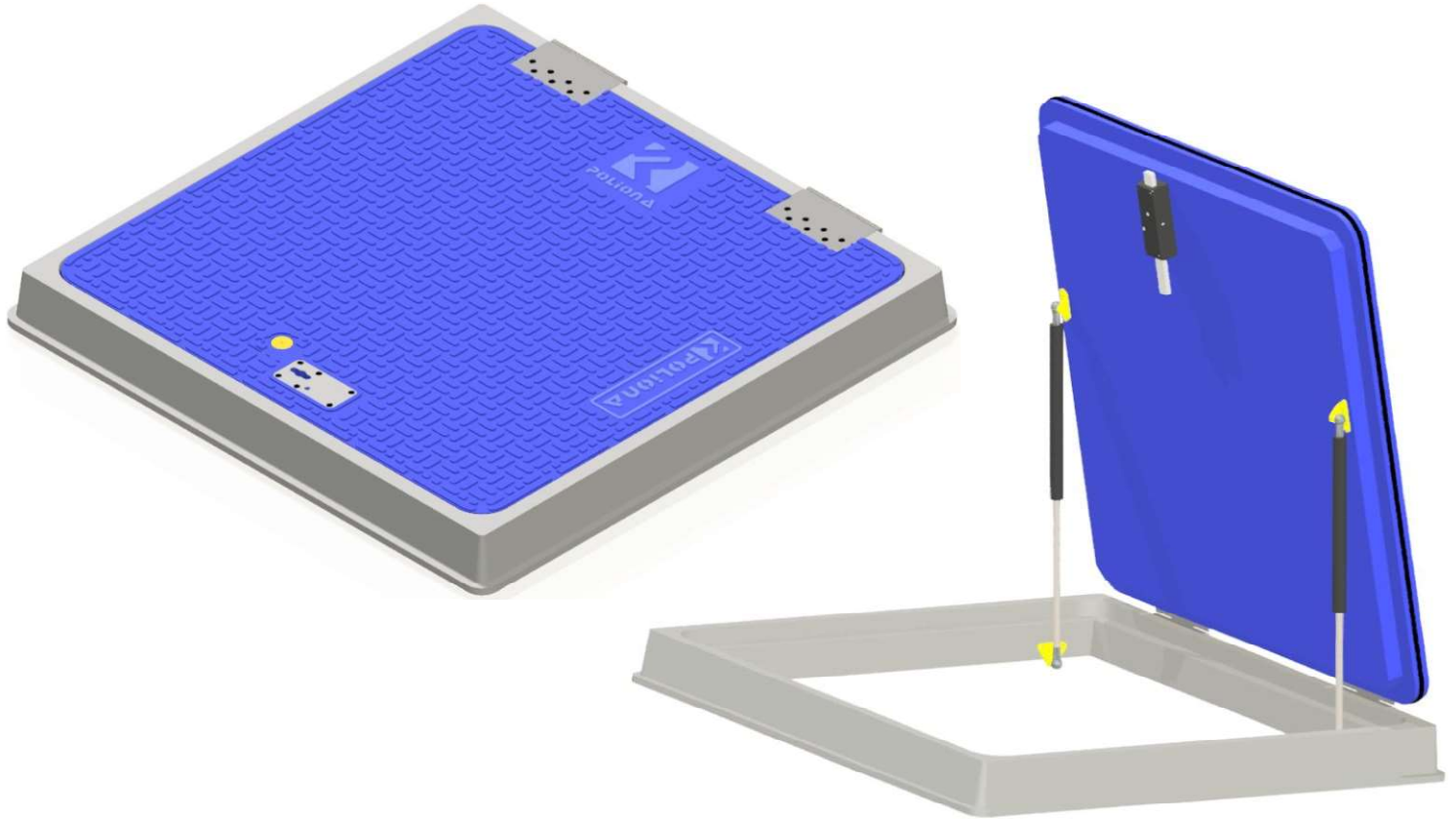
WIDTH	LENGTH	HEIGHT	ESTIMATED WEIGHT	FREE WIDE PASS
1187 mm	1187 mm	100 mm	145 Kg	1005x1005 mm
MADE OF VERY LIGHT - HIGH STRENGTH - DIELECTRIC COMPOSITE MATERIAL.				
RUST AND CORROSION FREE MATERIAL.				
IT DOES NOT GENERATE NOISE WHEN TRAFFIC PASSES, AND ITS NOISE POLLUTION IS ZERO.				
RESISTANCE CATEGORY F900 ACCORDING TO UNE-EN 124-6:2015 / WATERPROOF AND ODOUR-TIGHT.				
SLIP RESISTANCE (USRV) AVERAGE VALUE 62 / CLASS 3 - OUTDOOR AREAS.				
ERGONOMIC OPENING SYSTEM, ELIMINATING THE RISK OF INJURY.				
OPTIONS:				
DIFFERENT ANTI-VANDAL SECURITY SYSTEMS.				
CUSTOMIZATION WITH CUSTOMER LOGOS AND BADGES.				
MANUFACTURE IN DIFFERENT COLORS FOR PRODUCT IDENTIFICATION.				



TECHNICAL DATACARD

ENTRY COVER 1000X1000

CLASS F900 / COMPOSITE - HINGED



DATA TABLE

WIDTH	LENGTH	HEIGHT	ESTIMATED WEIGHT	FREE WIDE PASS
1187 mm	1187 mm	110 mm	145 KG	1005x1005 mm

MADE OF VERY LIGHT - HIGH STRENGTH - DIELECTRIC COMPOSITE MATERIAL.

RUST AND CORROSION FREE MATERIAL.

IT DOES NOT GENERATE NOISE WHEN TRAFFIC PASSES, AND ITS NOISE POLLUTION IS ZERO

RESISTANCE CATEGORY F900 ACCORDING TO UNE-EN 124-6:2015 / WATERPROOF AND ODOUR-TIGHT.

SLIP RESISTANCE (USRV) AVERAGE VALUE 62 / CLASS 3 - OUTDOOR AREAS.

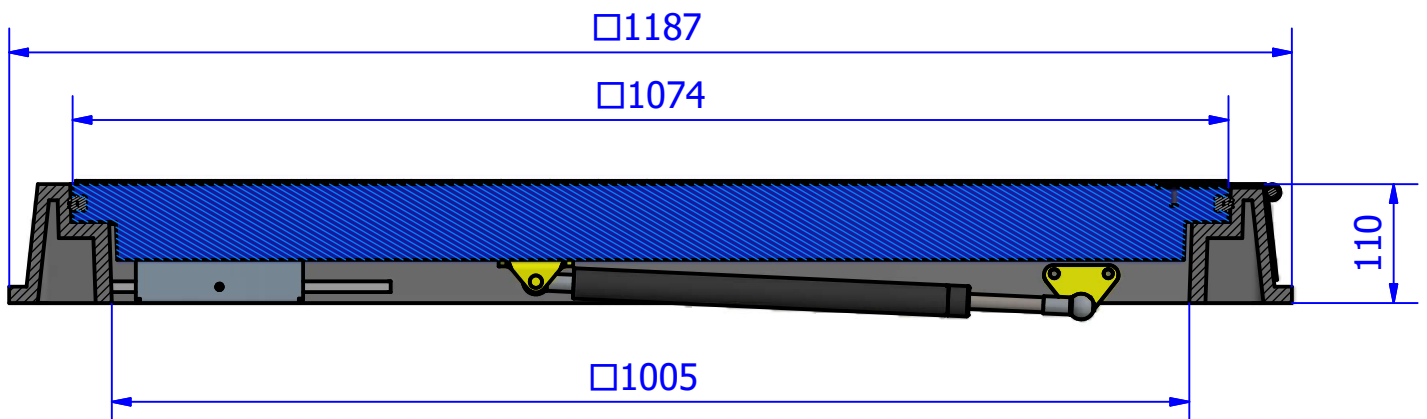
OPENING AND CLOSING ASSISTED BY GAS SPRINGS (HINGED)

ERGONOMIC OPENING SYSTEM, ELIMINATING THE RISK OF INJURY.

OPTIONS:

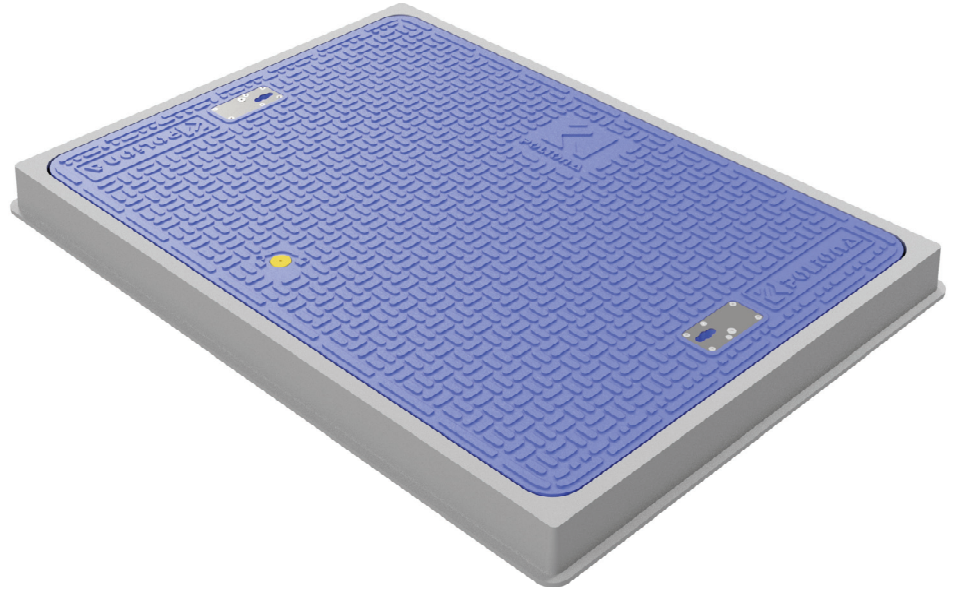
DIFFERENT ANTI-VANDAL SECURITY SYSTEMS.

CUSTOMIZATION WITH CUSTOMER LOGOS AND BADGES.



TECHNICAL DATACARD

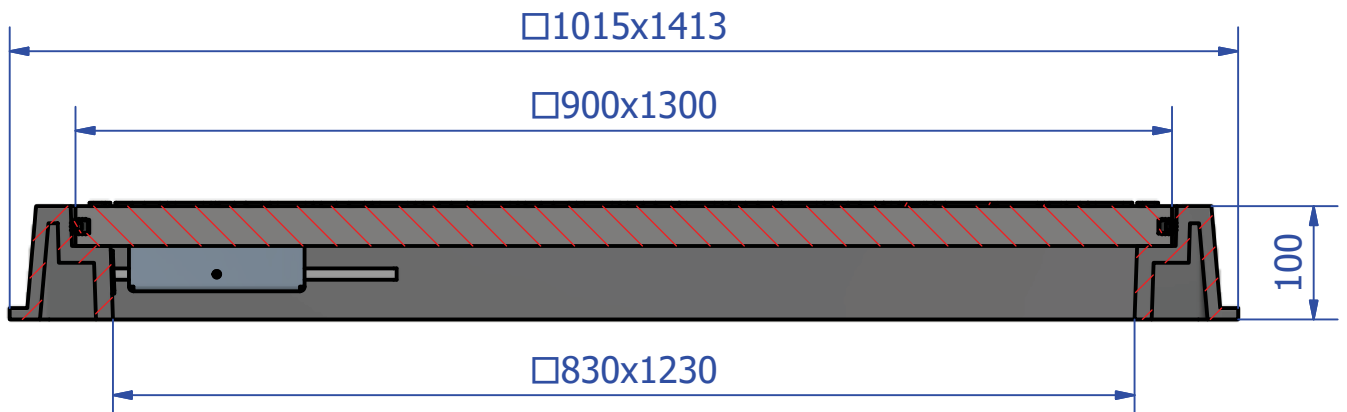
ENTRY COVER 900X1300
CLASS D400 / COMPOSITE



OPENING LEVER

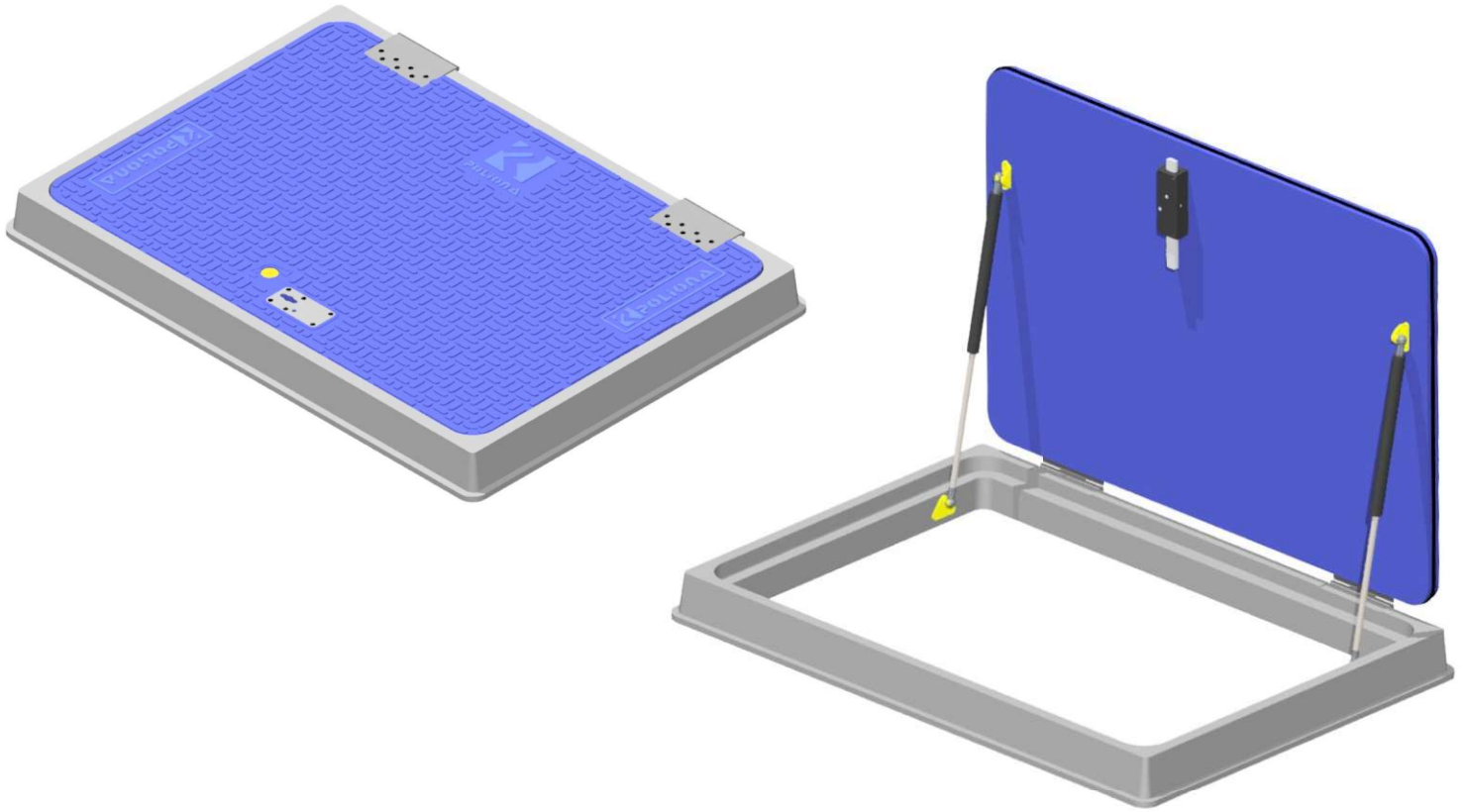
DATA TABLE

WIDTH	LENGTH	HEIGHT	ESTIMATED WEIGHT	FREE WIDE PASS
1015 mm	1413 mm	100 mm	115 Kg	830x1230 mm
MADE OF VERY LIGHT - HIGH STRENGTH - DIELECTRIC COMPOSITE MATERIAL.				
RUST AND CORROSION FREE MATERIAL.				
IT DOES NOT GENERATE NOISE WHEN TRAFFIC PASSES, AND ITS NOISE POLLUTION IS ZERO.				
RESISTANCE CATEGORY D400 ACCORDING TO UNE-EN 124-6:2015 / WATERPROOF AND ODOUR-TIGHT.				
SLIP RESISTANCE (USRV) AVERAGE VALUE 62 / CLASS 3 - OUTDOOR AREAS.				
ERGONOMIC OPENING SYSTEM, ELIMINATING THE RISK OF INJURY.				
OPTIONS:				
DIFFERENT ANTI-VANDAL SECURITY SYSTEMS.				
CUSTOMIZATION WITH CUSTOMER LOGOS AND BADGES.				
MANUFACTURE IN DIFFERENT COLORS FOR PRODUCT IDENTIFICATION.				



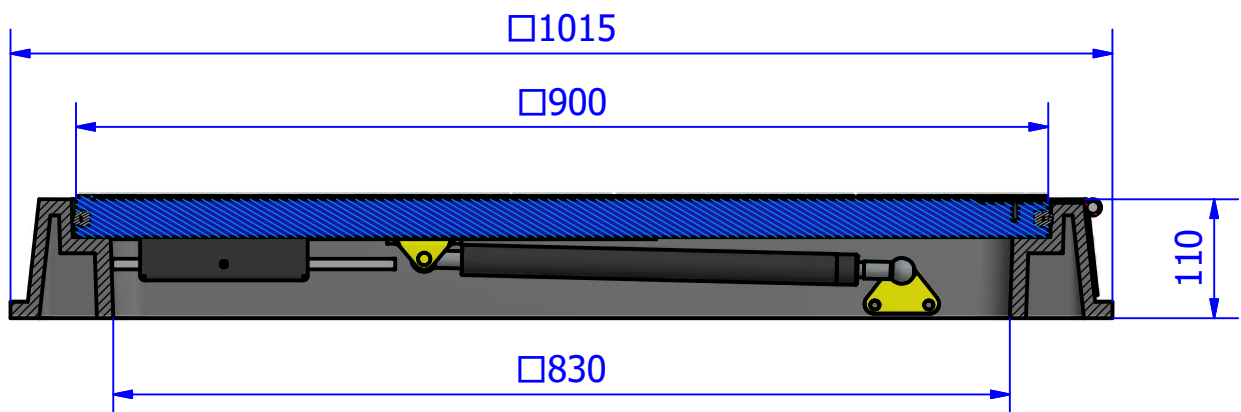
TECHNICAL DATACARD

**ENTRY COVER 1300X900
CLASS D400 / COMPOSITE - HINGED**



DATA TABLE

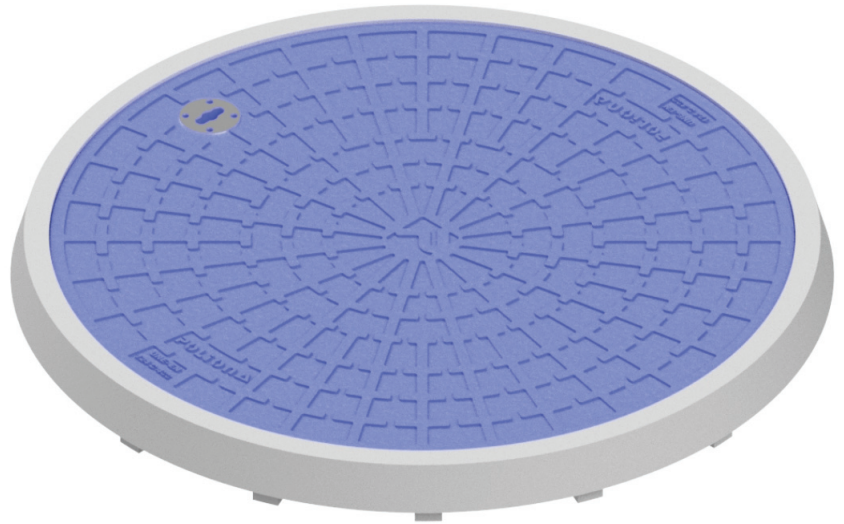
WIDTH	LENGTH	HEIGHT	ESTIMATED WEIGHT	FREE WIDE PASS
1015 mm	1413 mm	110 mm	115 KG	830x1230 mm
MADE OF VERY LIGHT - HIGH STRENGTH - DIELECTRIC COMPOSITE MATERIAL.				
RUST AND CORROSION FREE MATERIAL.				
IT DOES NOT GENERATE NOISE WHEN TRAFFIC PASSES, AND ITS NOISE POLLUTION IS ZERO				
RESISTANCE CATEGORY D400 ACCORDING TO UNE-EN 124-6:2015 / WATERPROOF AND ODOUR-TIGHT.				
SLIP RESISTANCE (USRV) AVERAGE VALUE 62 / CLASS 3 - OUTDOOR AREAS.				
OPENING AND CLOSING ASSISTED BY GAS SPRINGS (HINGED)				
ERGONOMIC OPENING SYSTEM, ELIMINATING THE RISK OF INJURY.				
OPTIONS:				
DIFFERENT ANTI-VANDAL SECURITY SYSTEMS.				
CUSTOMIZATION WITH CUSTOMER LOGOS AND BADGES.				



POLIONA - BARESLAN

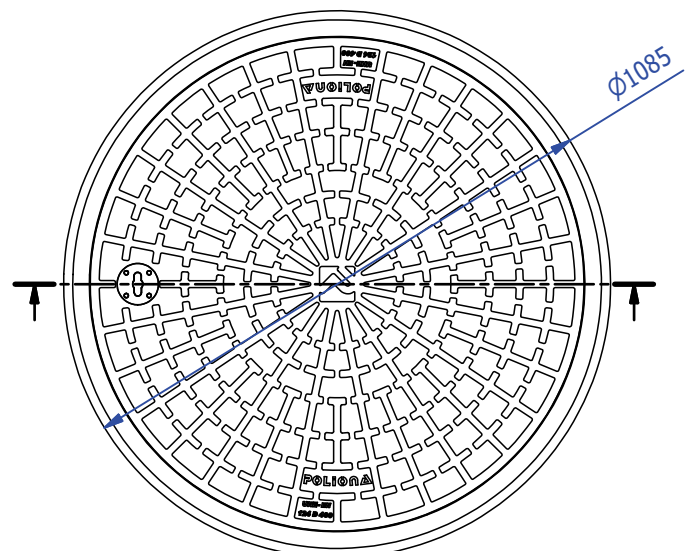
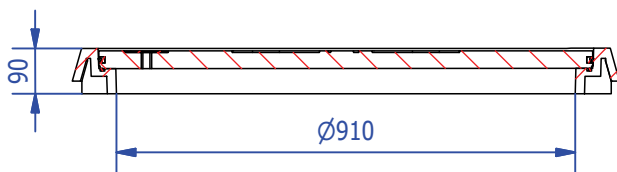
TECHNICAL DATACARD

MANHOLE COVER COMPOSITE MODEL-TRCPLT - TRCPL CT
CLASS D400 / E600



MODEL	DIMENSIONS	HIGH	APROXIMATE WEIGHT	CLEAR WIDTH
TRCPL E600	Ø1085	90	51 Kg	Ø905
TRCPL D400	Ø1085	90	45 Kg	Ø905

CONSTRUCTED OF COMPOSITE MATERIAL OF GREAT LIGHTNESS AND OF HIGH RESISTANCE.
 COMPLETELY WATERTIGHT, THANKS TO ITS SYSTEM OF SEALING GASKETS/JOINTS.
 MEETS WITH STANDARD UNE-EN 124 D400 / E600.
 NO ACOUSTIC CONTAMINATION.
 LACK VALUE AS SCRAP METAL.
 COVER WITH NON-SLIP SURFACE.
 MAIN GASKET/JOINT IS HOUSED IN THE PERIMETER POCKET OF THE COVER.
 SECONDARY JOINT/GASKET HOUSED IN THE HORIZONTAL PLANE OF THE FRAME.
 OPTIONAL:
 GALVANIZED SKIRT FOR FORMWORK.
 CUSTOMIZATION WITH CUSTOMER LOGOS.
 DIFFERENT COLORS FINISHING. GREEN, RED, BLACK.



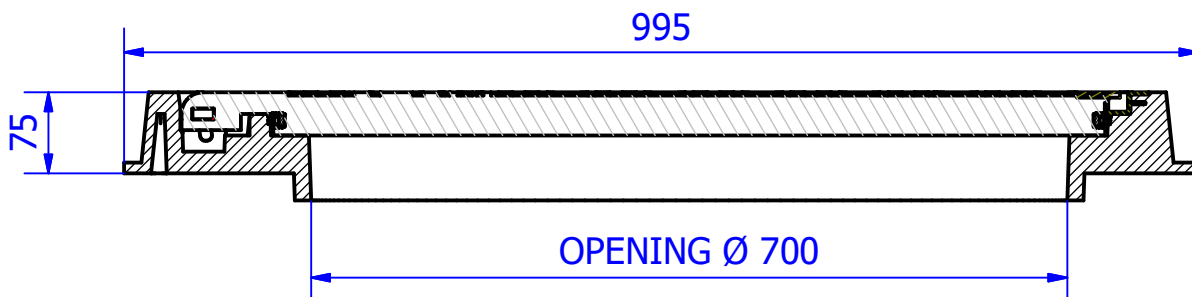
TECHNICAL DATACARD

**CLASS D400 / COMPOSITE - OPENING 700 - LEVER OPENING
HINGED COVER WITH SAFETY POSITIONING**



DATA TABLE

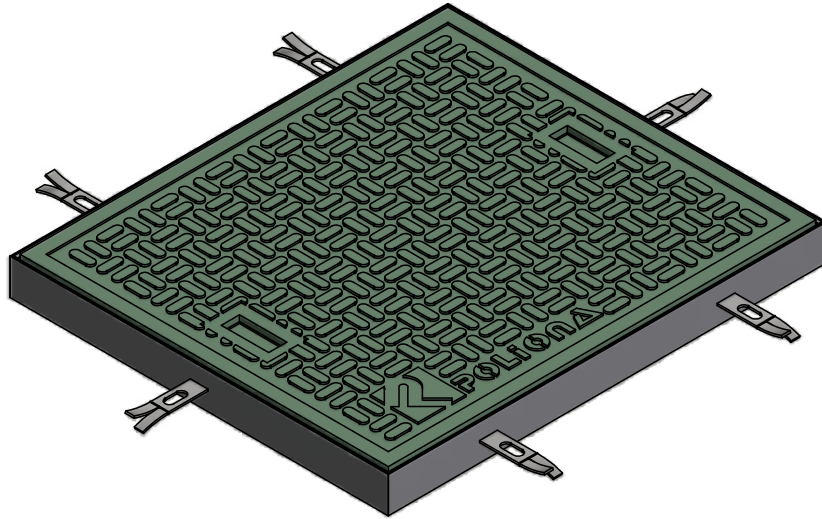
WIDTH	LENGTH	HEIGHT	ESTIMATED WEIGHT	FREE WIDE PASS
880 mm	995 mm	100 mm	35 Kg	Ø700 mm
MADE OF VERY LIGHT - HIGH STRENGTH - DIELECTRIC COMPOSITE MATERIAL.				
RUST AND CORROSION FREE MATERIAL.				
IT DOES NOT GENERATE NOISE WHEN TRAFFIC PASSES, AND ITS NOISE POLLUTION IS ZERO				
RESISTANCE CATEGORY D400 ACCORDING TO UNE-EN 124-6:2015 / WATERPROOF AND ODOUR-TIGHT.				
SLIP RESISTANCE (USRV) AVERAGE VALUE 53 / CLASS 3 - OUTDOOR AREAS.				
LEVER OPENING SYSTEM				
FRAME WEIGHT 12kg / COVER WEIGHT 23kg				
HINGED COVER WITH SAFETY POSITIONING				
DETACHABLE COVER AND FRAME SET				



TECHNICAL DATACARD

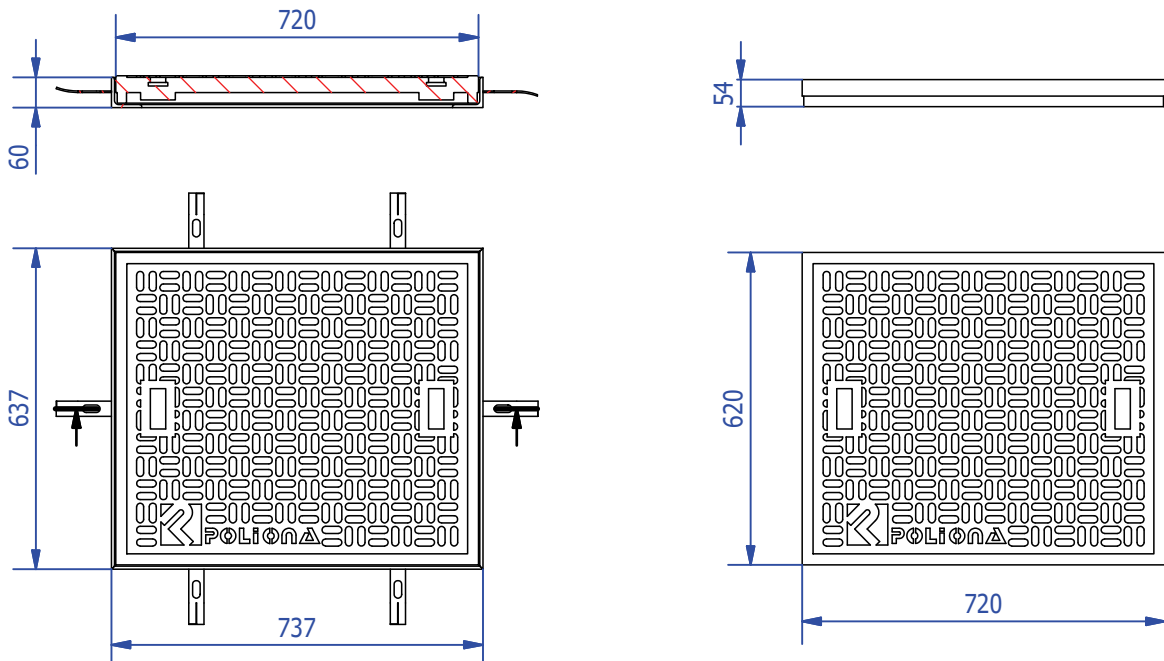
MANHOLE COVER COMPOSITE MODEL-A1

CLASS D400



MODEL	FRAME DIMENSIONS	COVER DIMENSIONS	APROX. COVER WEIGHT	APROX. SET WEIGHT
A1	737x637x60	620x720x54	27 Kg	43 Kg
CONSTRUCTED OF COMPOSITE MATERIAL OF GREAT LIGHTNESS AND OF HIGH RESISTANCE IN BLACK COLOR.				
FRAME MANUFACTURED IN ANGLE 60X60X6 - CARBON STEEL - HOT GALVANIZED.				
IT COMPLIES WITH STANDARD UNE-EN 124, SECTION 8, IN CATEGORY D400.				
NO ACOUSTIC CONTAMINATION.				
LACK VALUE AS SCRAP METAL.				
COVER WITH NON-SLIP SURFACE.				

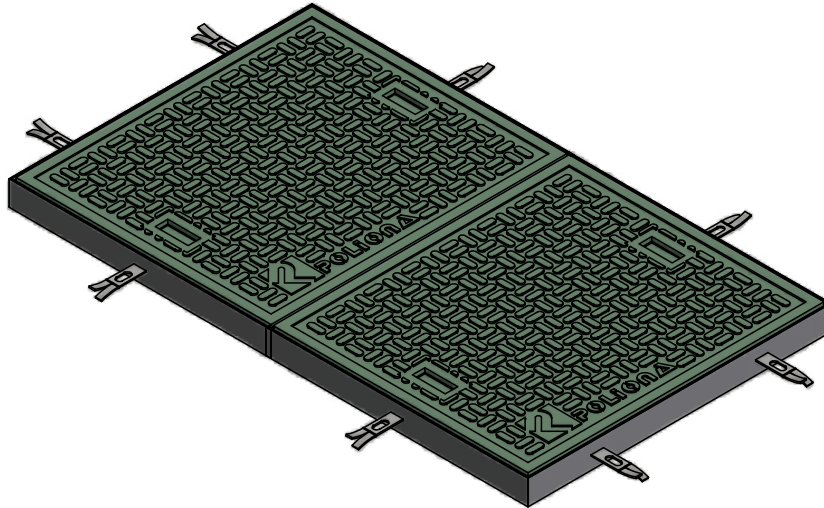
NOTE: COVERS MANUFACTURED ACCORDING TO STANDARD MEASURES COMPATIBLE WITH ENDESA TYPE A1 CASTING FRAME



TECHNICAL DATACARD

COMPOSITE COVER MODEL-A2

CLASS D400



MODE	FRAME DIMENSIONS	COVER DIMENSIONS	APROX. COVER WEIGHT	APROX. SET WEIGHT
A2	737x1260x60	620x720x54	27 Kg/unid.	76 Kg

CONSTRUCTED OF COMPOSITE MATERIAL OF GREAT LIGHTNESS AND OF HIGH RESISTANCE IN BLACK COLOR.

FRAME MANUFACTURED IN ANGLE 60X60X6 - CARBON STEEL - HOT GALVANIZED.

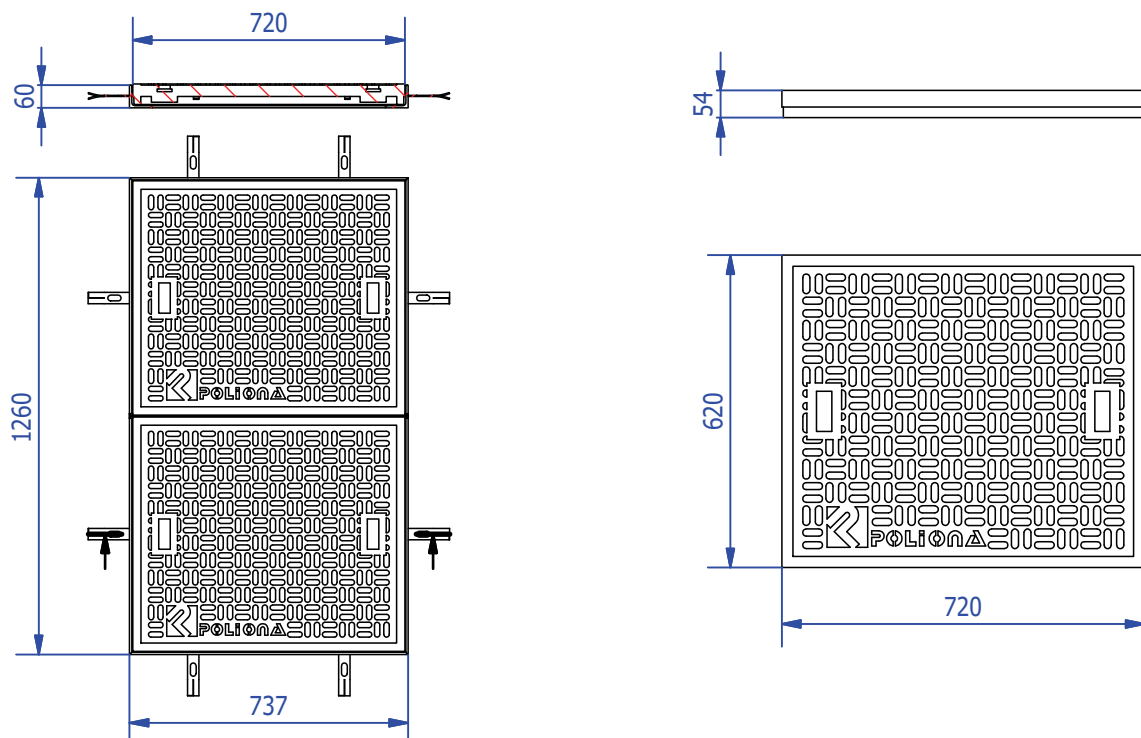
IT COMPLIES WITH STANDARD UNE-EN 124, SECTION 8, IN CATEGORY D400.

NO ACOUSTIC CONTAMINATION.

LACK VALUE AS SCRAP METAL.

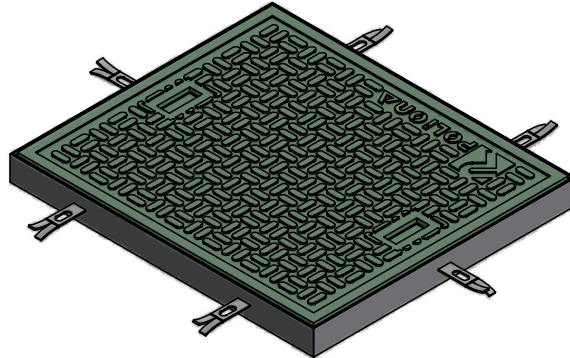
COVER WITH NON-SLIP SURFACE.

NOTE: COVERS MANUFACTURED ACCORDING TO STANDARD MEASURES COMPATIBLE WITH ENDESA TYPE A2 CASTING FRAME



TECHNICAL DATACARD

COMPOSITE COVER MODEL-A1 CLASS D400

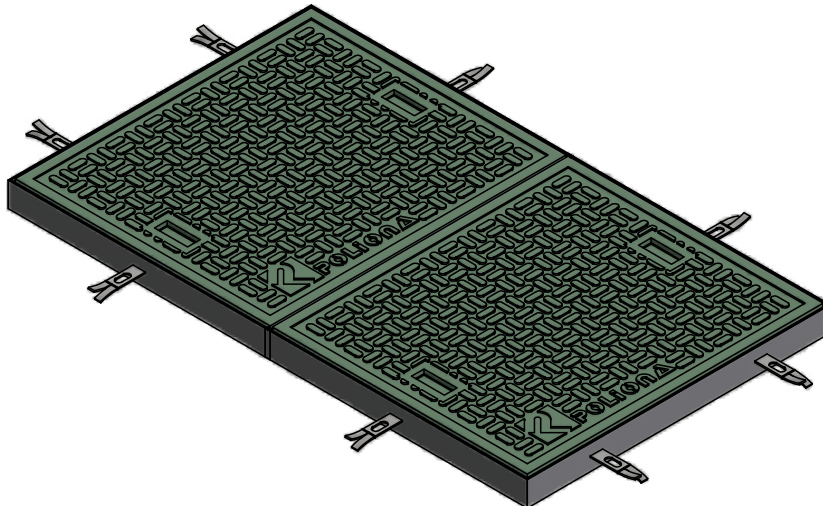


MODE	FRAME DIMENSIONS	COVER DIMENSIONS	ESTIMATED WEIGHT COVER	ESTIMATED WEIGHT JOINT
A1	737x637x60	620x720x54	27 Kg	43 Kg
BUILT IN COMPOSITE OF LIGHTWEIGHT AND HIGH STRENGTH IN BLACK COLOR				
FRAME MADE IN ANGLE 60x60x6 CARBON-GALVANIZED STEEL				
CONFORMS TO STANDARD UNE - EN 124 D 400				
ZERO NOISE POLLUTION.				
NO VALUE AS SCRAP METAL.				
COVER WITH NON-SLIP SURFACE.				

NOTE: COVERS MANUFACTURED ACCORDING TO STANDARD MEASURES CONSISTENT WITH FOUNDRY FRAMEWORK TYPE A1 ENDESA

TECHNICAL DATACARD

COMPOSITE COVER MODEL-A2 CLASS D400

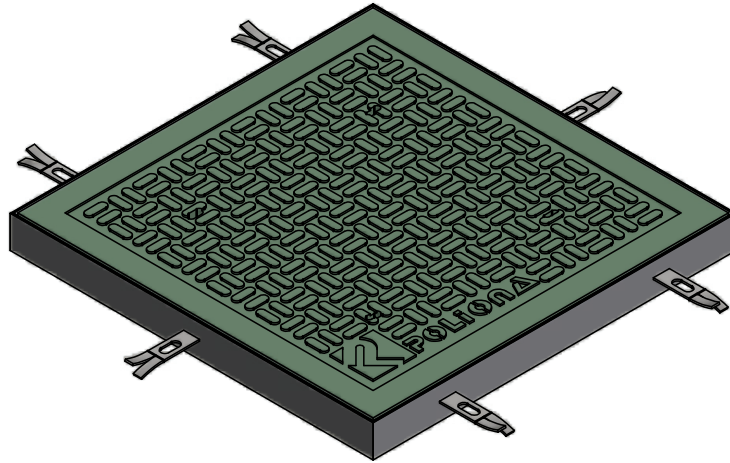


MODE	FRAME DIMENSIONS	COVER DIMENSIONS	ESTIMATED COVER WEIGHT	ESTIMATED WEIGHT JOINT
A2	737x1260x60	620x720x54	27 Kg/unid.	76 Kg
BUILT IN COMPOSITE OF LIGHTWEIGHT AND HIGH STRENGTH IN BLACK COLOR				
FRAME MADE IN ANGLE 60x60x6 CARBON-GALVANIZED STEEL				
CONFORMS TO STANDARD UNE - EN 124 D 400				
ZERO NOISE POLLUTION.				
NO VALUE AS SCRAP METAL.				
COVER WITH NON-SLIP SURFACE.				

NOTE: COVERS MANUFACTURED ACCORDING TO STANDARD MEASURES CONSISTENT WITH FOUNDRY FRAMEWORK TYPE A2 ENDESA

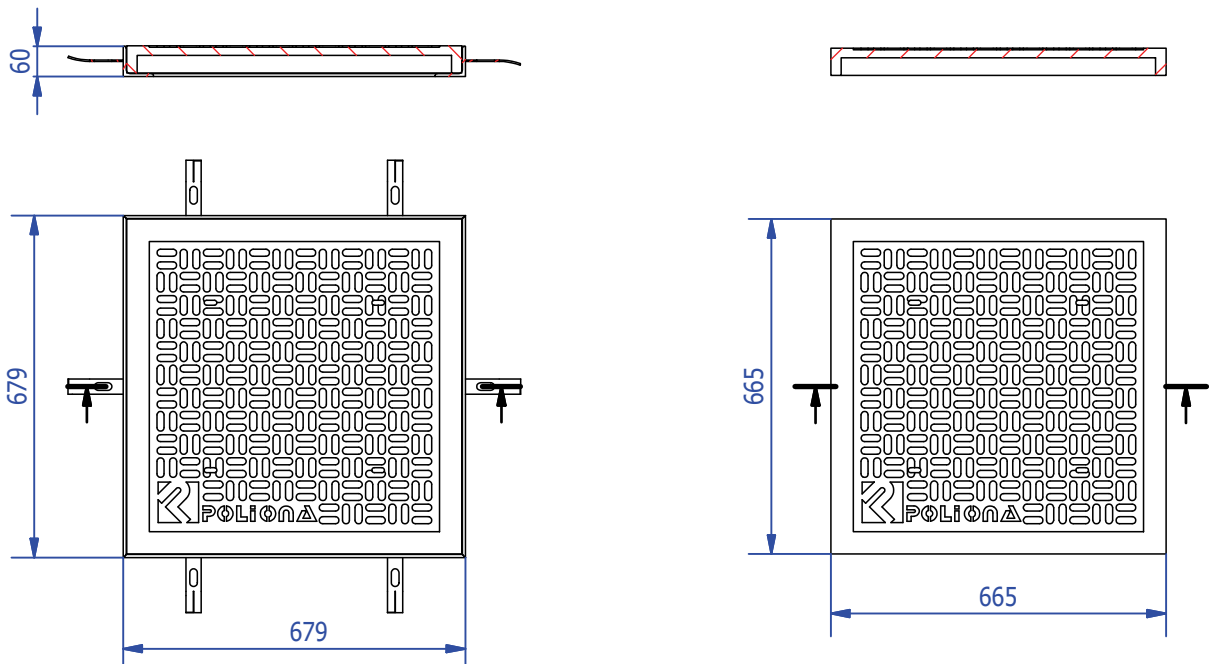
TECHNICAL DATACARD

COMPOSITE COVER MODEL-T2
CLASS B125



MODE	FRAME DIMENSIONS	COVER DIMENSIONS	APROX. COVER WEIGHT	APROX. SET WEIGHT
A1	679x679x60	665x665x54	17 Kg	32 Kg
CONSTRUCTED OF COMPOSITE MATERIAL OF GREAT LIGHTNESS AND OF HIGH RESISTANCE IN BLACK COLOR.				
FRAME MANUFACTURED IN ANGLE 60X60X6 - CARBON STEEL - HOT GALVANIZED.				
IT COMPLIES WITH STANDARD UNE-EN 124, SECTION 8, IN CATEGORY D400.				
NO ACOUSTIC CONTAMINATION.				
LACK VALUE AS SCRAP METAL.				
COVER WITH NON-SLIP SURFACE.				
OPTIONAL: MANUFACTURE IN CATEGORIES C250 AND D400.				

NOTE: COVERS MANUFACTURED ACCORDING TO STANDARD MEASURES COMPATIBLE WITH IBERDROLA TYPE 2 CASTING FRAME.



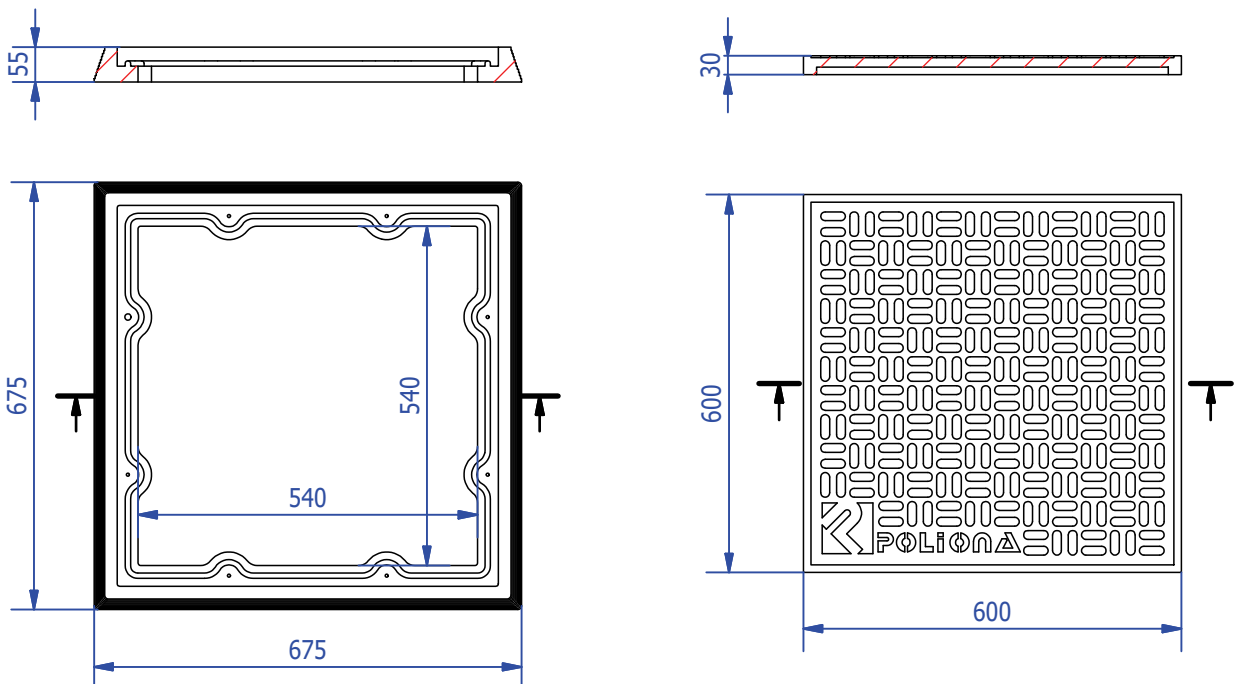
TECHNICAL DATACARD

COVER COMPOSITE MODEL-M1 600x600



MODE	FRAME DIMENSIONS	COVER DIMENSIONS	APROX. COVER WEIGHT	APROX. SET WEIGHT
M1	675x675x55	600x600x30	11 Kg	15 Kg
COVER AND FRAME CONSTRUCTED OF COMPOSITE MATERIAL OF GREAT LIGHTNESS AND OF HIGH RESISTANCE IN BLACK COLOR.				
WATER AND ODOR STAGNANT USING TOROIDAL NITRILE				
NO/NULL ACOUSTIC CONTAMINATION.				
LACK VALUE AS SCRAP METAL.				
COVER WITH NON-SLIP SURFACE.				
COVER SCREWED TO THE FRAME, WITH POSSIBILITY OF PLACING SAFETY SCREWS.				
OPTIONAL				
MANUFACTURE IN DIFFERENT MEASURES AND CATEGORIES OF RESISTANCE				
POSSIBILITY OF MANUFACTURING IN DIFFERENT COLORS.				

APPLICATIONS IN SANITATION AND ELECTRICITY



TECHNICAL DATACARD

MANHOLE COVER COMPOSITE MODEL TCPEX D400 CT / ST
CLASS D400



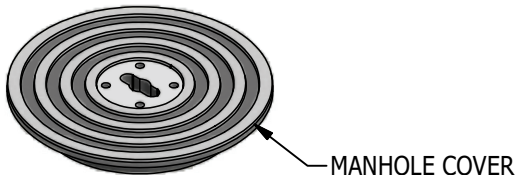
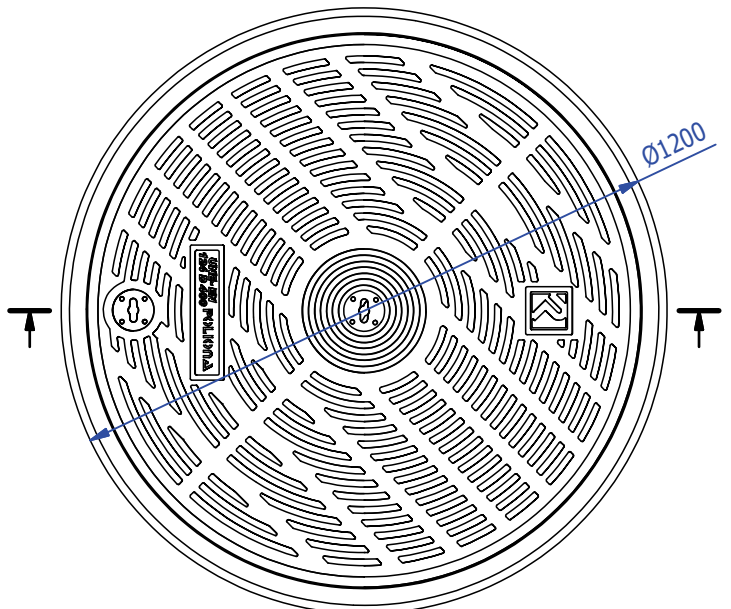
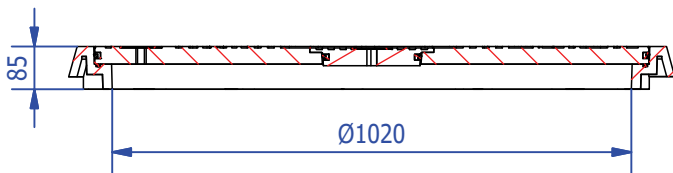
MODEL TCPEX CT

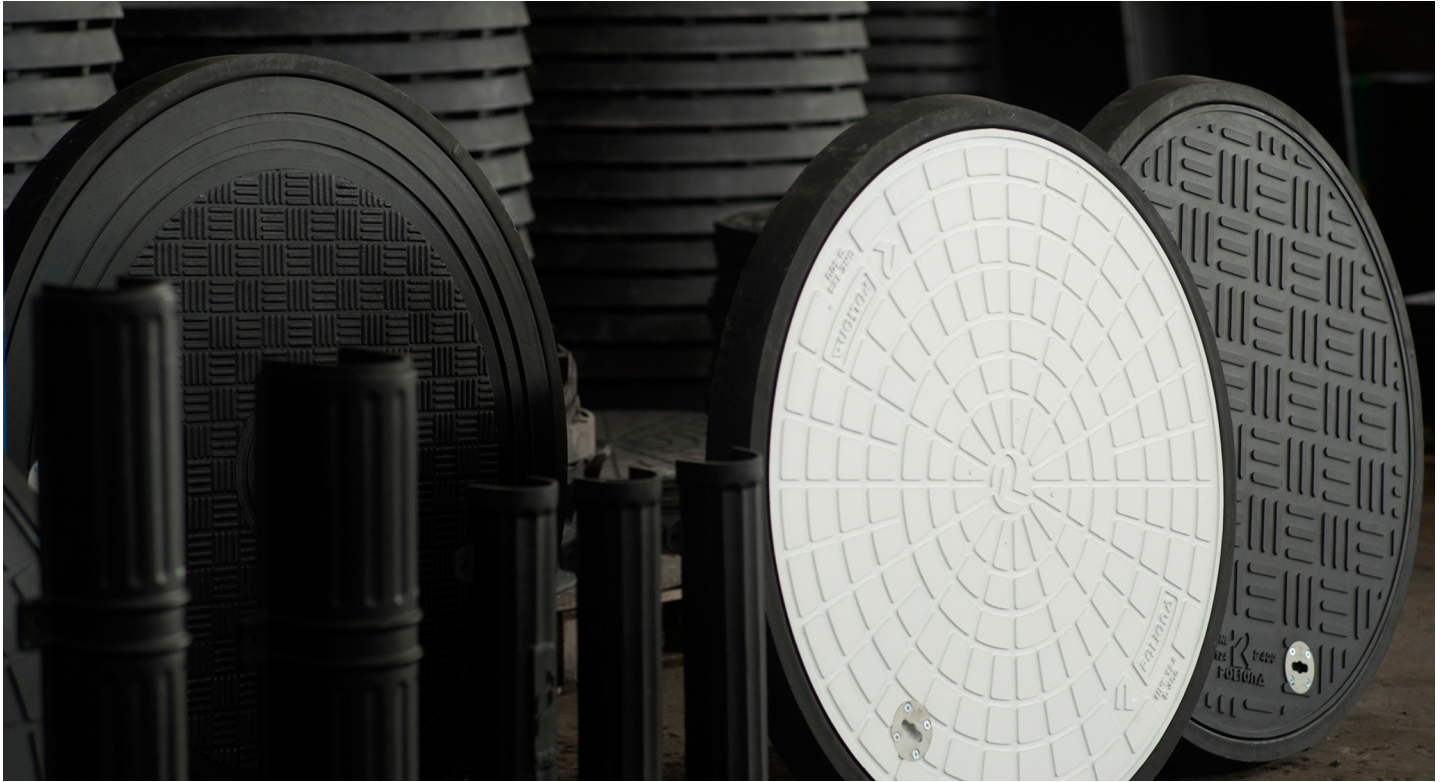


MODEL TCPEX ST

MODEL	DIMENSIONS	HIGH	APROXIMATE WEIGHT	CLEAR WIDTH
TCPEX CT	Ø1200	85	72 Kg	Ø1020
TCPEX ST	Ø1200	85	70 Kg	Ø1020

CONSTRUCTED OF COMPOSITE MATERIAL OF GREAT LIGHTNESS AND OF HIGH RESISTANCE.
 COMPLETELY WATERTIGHT, THANKS TO ITS SYSTEM OF SEALING GASKETS/JOINTS.
 MEETS WITH STANDARD UNE-EN D 400.
 NO ACOUSTIC CONTAMINATION.
 LACK VALUE AS SCRAP METAL.
 COVER WITH NON-SLIP SURFACE.
 MAIN GASKET/JOINT IS HOUSED IN THE PERIMETER POCKET OF THE COVER.
 SECONDARY JOINT/GASKET HOUSED IN THE HORIZONTAL PLANE OF THE FRAME.
 OPTIONAL:
 GALVANIZED SKIRT FOR FORMWORK.
 CUSTOMIZATION WITH CUSTOMER LOGOS.
 DIFFERENT COLORS FINISHING. GREEN, RED, BLACK.





BARESLAN S.L.U. &  POLIONA
Access Covers

Tfno: 656 70 14 25
bareslan@bareslan.es
www.bareslan.es