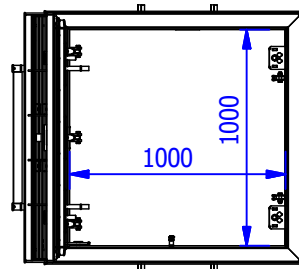
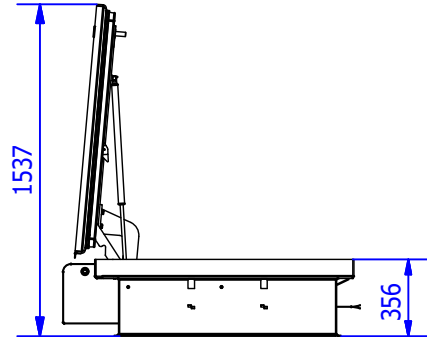


Access covers

TECHNICAL DATACARD

ENTRY ACCESS COVER 1000 x 1000



WIDTH	LENGTH	HEIGHT	ESTIMATED WEIGHT	FREE WIDE PASS
1170 mm.	1348 mm.	356 mm.	315 Kg	1000x1000 mm.

TYPE D400 - UNE-EN 124 / WATERTIGHT. NOT CERTIFIED.

MADE OF CARBON STEEL S275JR/1.0044 AND TREATMENT ZINC Cr III + SEALED / CORROSION CATEGORY C4.

SAFETY LOCK SCREW ALUMINUM BRONZE / WITH SAFETY KEY SPECIAL.

TOP TRAY COVER IN TRAY SHAPE, TO ADAPT TO DIFFERENT FINISHES IN THE INSTALLATION

TRAY DEPTH FOR ITS FILLING APPROX. 40 MM.

ADDITIONAL HELP FOR OPENING AND CLOSING BY GAS ASSISTED SPRING DAMPERS.

SECURITY SYSTEM WITH INTEGRATED ARRESTOR (INCORPORATED).

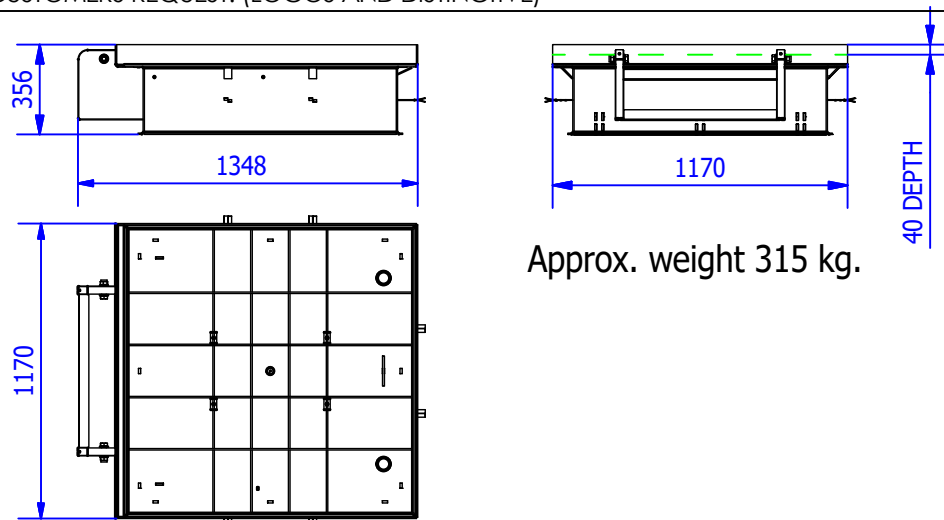
OPTIONS:

ATTACK-PROOF (SAFETY LOCK).

CARBON STEEL MADE AND PAINTED EPOXY .

SAFETY GUARD / ANTIFALL GUARD.

ADAPTED TO CUSTOMERS REQUEST. (LOGOS AND DISTINCTIVE)



NOTE: FOR SAFETY AND FOR CORRECT OPERATION, THE UPPER TRAY MUST BE FILLED BEFORE OPENING

TECHNICAL DATACARD

ENTRY ACCESS COVER 1000 x 1000



DEFENSAS PROTECCION ACCESO ENTRADA



Peso apróx. con defensas 315 kg.

- * Conjunto defensas protección acceso entradas incorporadas y solidarias a tapa entrada hombre.
- Formado por jaula de entrada hombre con puerta escamoteable hacia el interior y defensas laterales atornillados en tapa.
- * Fabricación estándar en A⁰ carbono pintado epoxi.