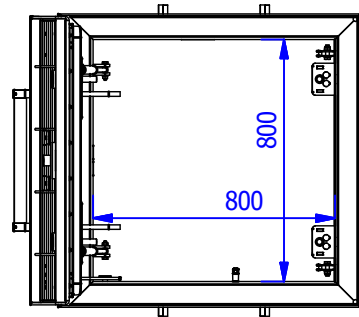
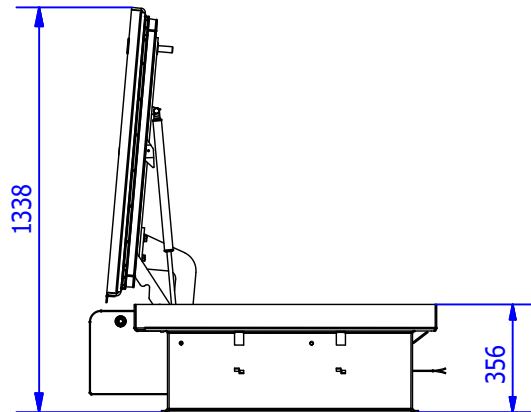


Access covers

TECHNICAL DATACARD

ENTRY ACCESS COVER 800 x 800



WIDTH	LENGTH	HEIGHT	ESTIMATED WEIGHT	FREE WIDE PASS
970 mm.	1148 mm.	356 mm.	196 Kg	800x800 mm.

TYPE D400 - UNE-EN 124 / WATERTIGHT. NOT CERTIFIED.

MADE OF CARBON STEEL S275JR/1.0044 AND TREATMENT ZINC Cr III + SEALED / CORROSION CATEGORY C4.

SAFETY LOCK SCREW ALUMINUM BRONZE / WITH SAFETY KEY SPECIAL.

TOP TRAY COVER IN TRAY SHAPE, TO ADAPT TO DIFFERENT FINISHES IN THE INSTALLATION

TRAY DEPTH FOR ITS FILLING APPROX. 40 MM.

ADDITIONAL HELP FOR OPENING AND CLOSING BY GAS ASSISTED SPRING DAMPERS.

SECURITY SYSTEM WITH INTEGRATED ARRESTOR (INCORPORATED).

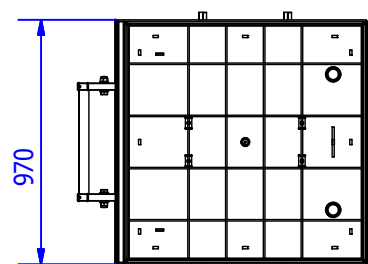
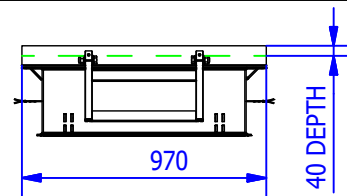
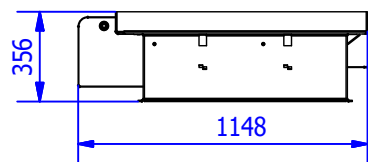
OPTIONS:

ATTACK-PROOF (SAFETY LOCK).

CARBON STEEL MADE AND PAINTED EPOXY .

SAFETY GUARD / ANTIFALL GUARD.

ADAPTED TO CUSTOMERS REQUEST. (LOGOS AND DISTINCTIVE)



Approx. weight 196 kg.

NOTE: FOR SAFETY AND FOR CORRECT OPERATION, THE UPPER TRAY MUST BE FILLED BEFORE OPENING