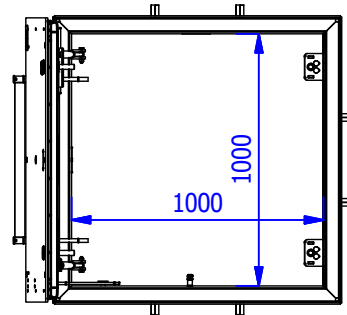
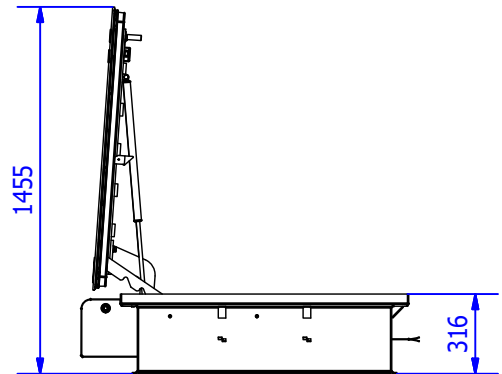
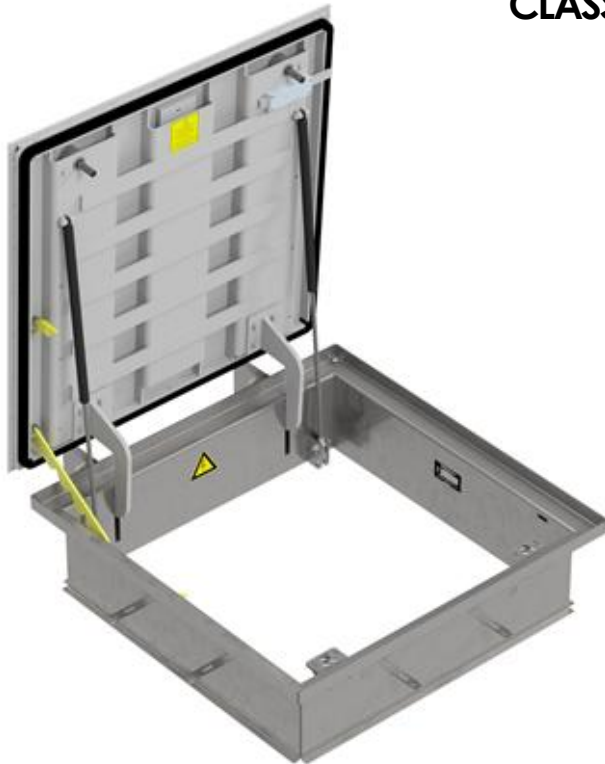


## Access covers

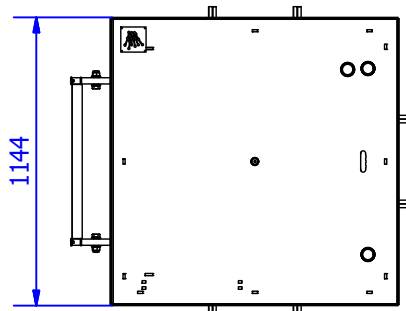
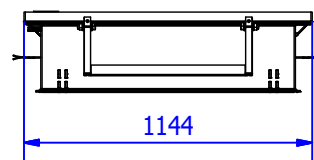
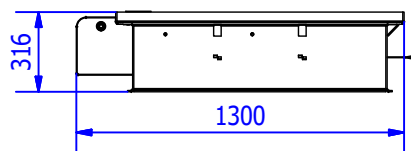
### TECHNICAL DATACARD

ENTRY ACCESS COVER 1000 x 1000

CLASS D400



WIDTH	LENGTH	HEIGHT	ESTIMATED WEIGHT	FREE WIDE PASS
1144 mm.	1300 mm.	316 mm.	290 Kg	1000x1000 mm.
TYPE D400 - UNE-EN 124 / WATERTIGHT.				
MADE OF CARBON STEEL S275JR/1.0044 AND TREATMENT ZINC Cr III + SEALED / CORROSION CATEGORY C4.				
SAFETY LOCK SCREW ALUMINUM BRONZE / WITH SAFETY KEY SPECIAL.				
COVER CONSISTS OF A STEEL TEAR PLATE WITH SLIP RESISTANCE				
ADDITIONAL HELP FOR OPENING AND CLOSING BY GAS ASSISTED SPRING DAMPERS.				
SECURITY SYSTEM WITH INTEGRATED ARRESTOR (INCORPORATED).				
OPTIONS:				
ATTACK-PROOF (SAFETY LOCK).				
CARBON STEEL MADE AND PAINTED EPOXY .				
SAFETY GUARD / ANTIFALL GUARD.				
ADAPTED TO CUSTOMERS REQUEST. (LOGOS AND DISTINCTIVE)				



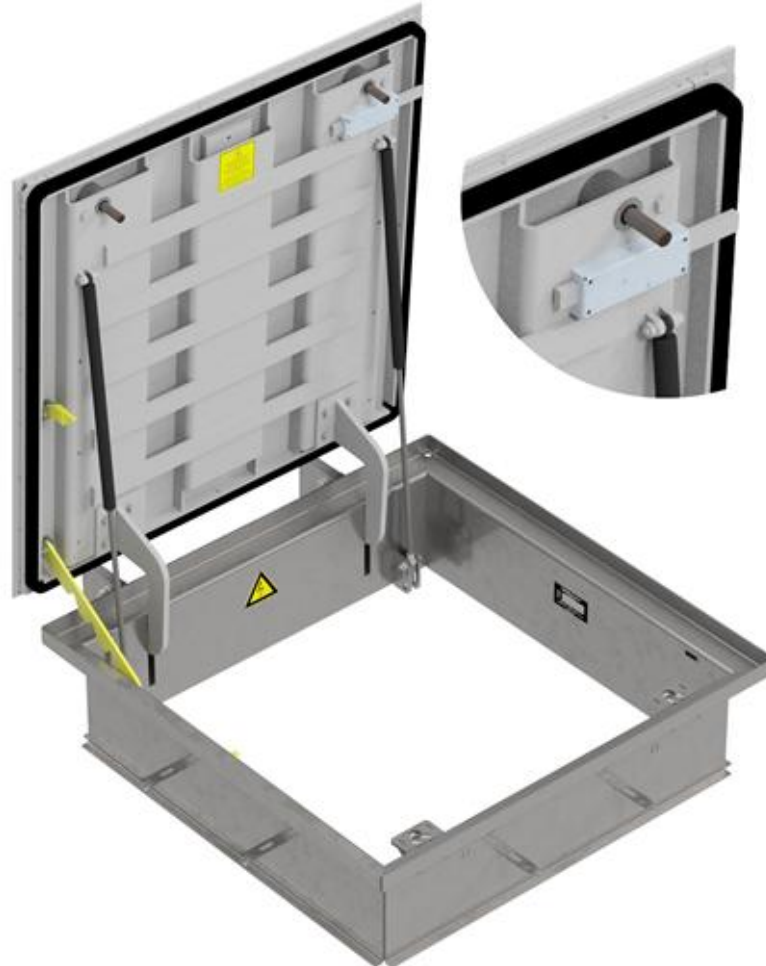
Apróx. weight 290 kg.

## Access covers

### TECHNICAL DATACARD

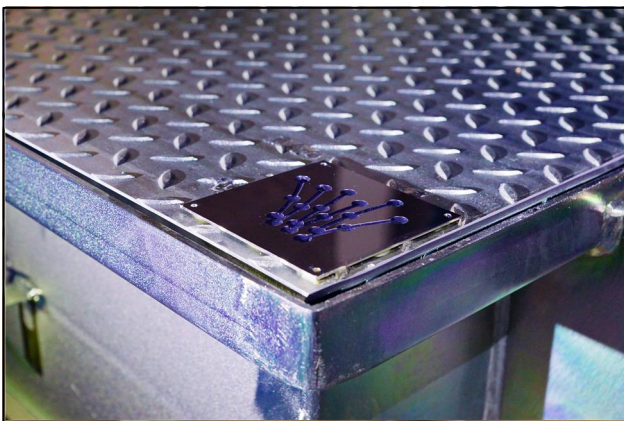
ENTRY ACCESS COVER 1000 x 1000

CLASS D400  
ATTACK PROOF / SAFETY LOCK



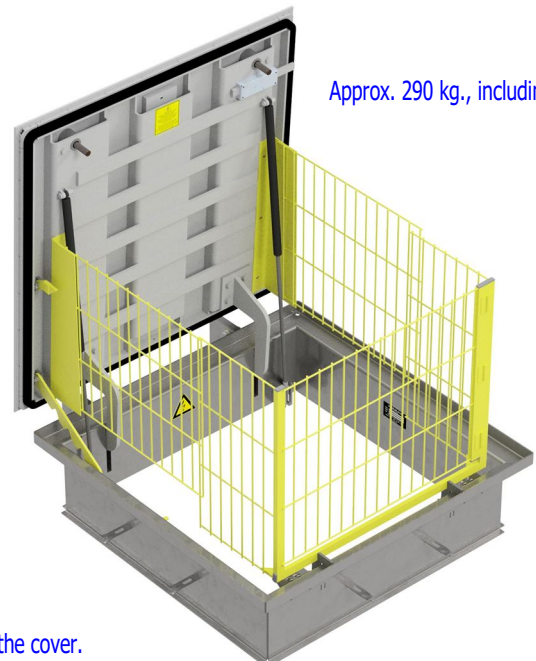
- \* Homologated attack-proof security lock with security code key.
- \* Optional: - Rekeying and Master Key
- Tailored to customers request.

#### Personalization.



#### ENTRY SAFETY GUARD / ANTIFALL GUARD

Approx. 290 kg., including defences.



- \* Set of built in protection defences.
- \* Comprised of a man-entry cage with an inwards collapsible door and side shields screwed into the cover.
- \* Standard manufacturing in epoxy painted carbon steel.