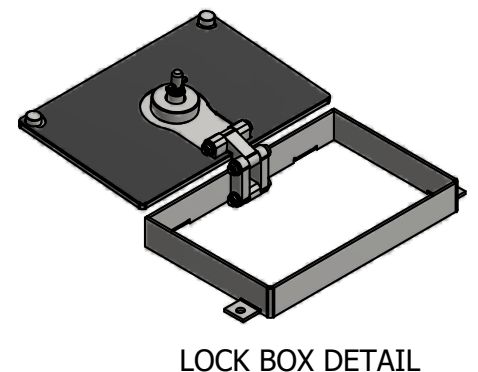
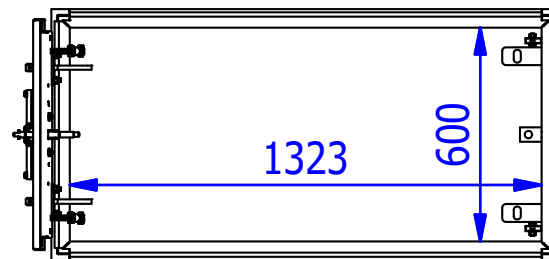
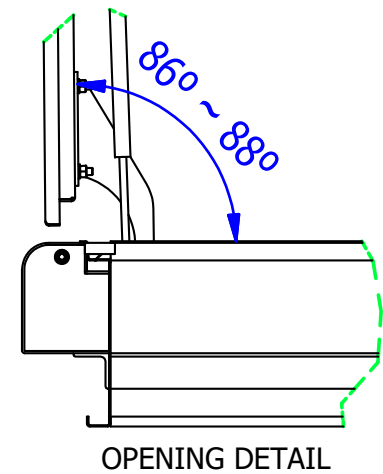
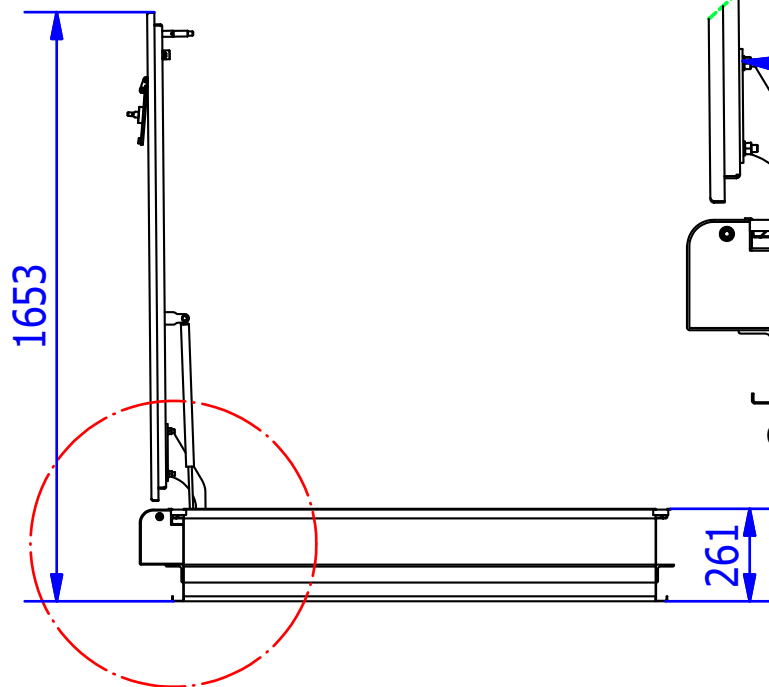
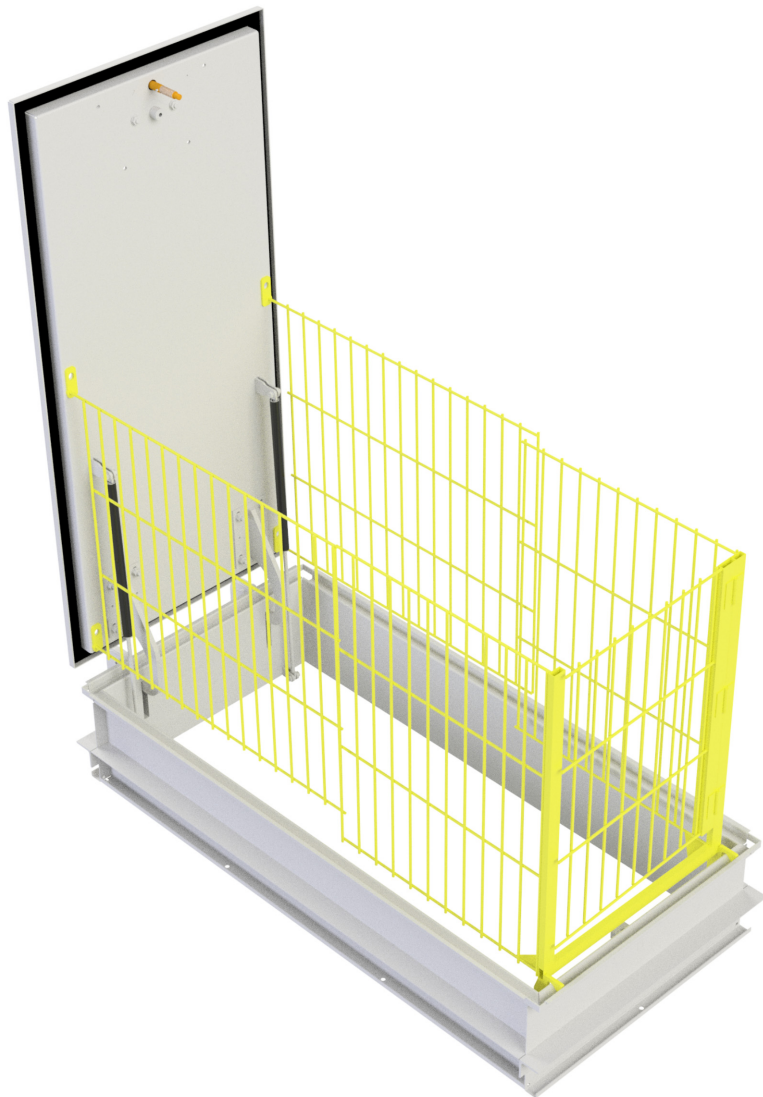


BARESLAN, S.L. Unipersonal

Access covers

TECHNICAL DATACARD

MANHOLE ENTRY COVER MODEL "A" PADLOCK
CLASS B125



LOCK BOX DETAIL

WIDTH	LENGTH	HEIGHT	ESTIMATED WEIGHT GAL	FREE WIDE PASS
724 mm.	1499 mm.	261 mm.	125 Kg	600x1323 mm.

TYPE B125 - UNE-EN 124 / WATER-TIGHT.

MADE OF CARBON STEEL S275JR/1.0044 AND TREATMENT ZINC Cr III + SEALED / CORROSION CATEGORY C4.

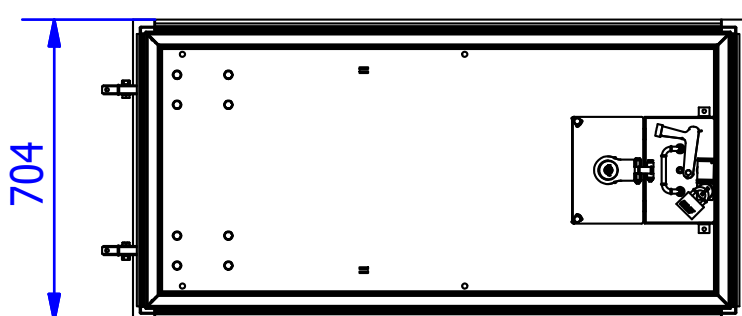
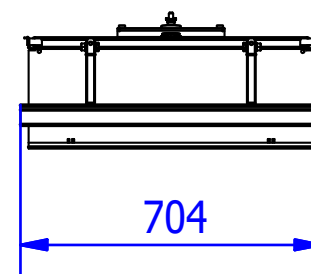
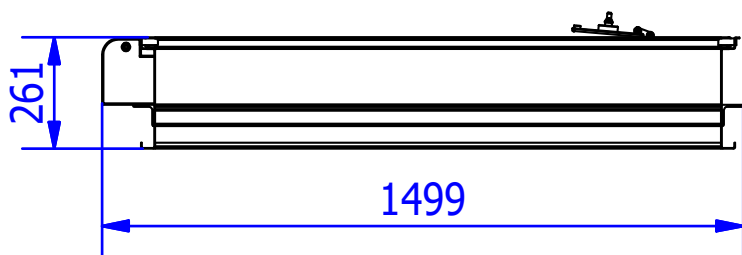
SAFETY LOCK SCREW IN ALUMINUM BRONZE / WITH SPECIAL SAFETY KEY.

LOCK BOX BUILT WITH DOUBLE LOCK SAFETY SYSTEM (PADLOCK NOT INCLUDED)

ASSISTED OPENING AND CLOSING OF A GAS CUSHIONS.

SAFETY GUARD / ANTIFALL GUARD WITH FRONT SIDE ACCESS DOOR, EPOXY PAINTED.

TOP TRAY COVER TRAY MADE IN FORM, TO SUIT DIFFERENT FINISHES IN YOUR INSTALLATION.



Approx. weight 125 kg.

NOTE: FOR SAFETY AND FOR CORRECT FUNCTIONING PRIOR TO APERTURE MUST BE FILLED UPPER TRAY.