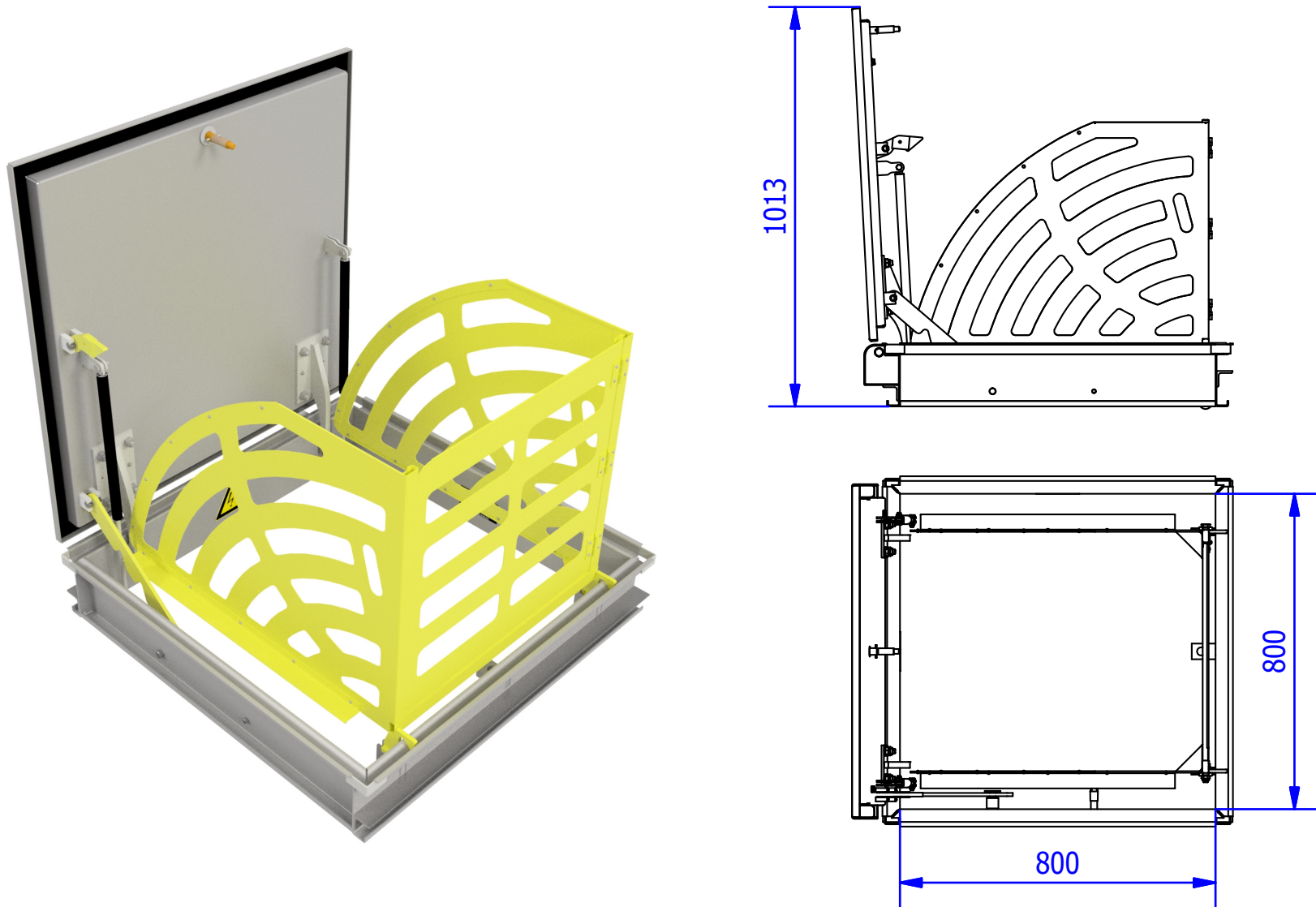


BARESLAN, S.L. Unipersonal

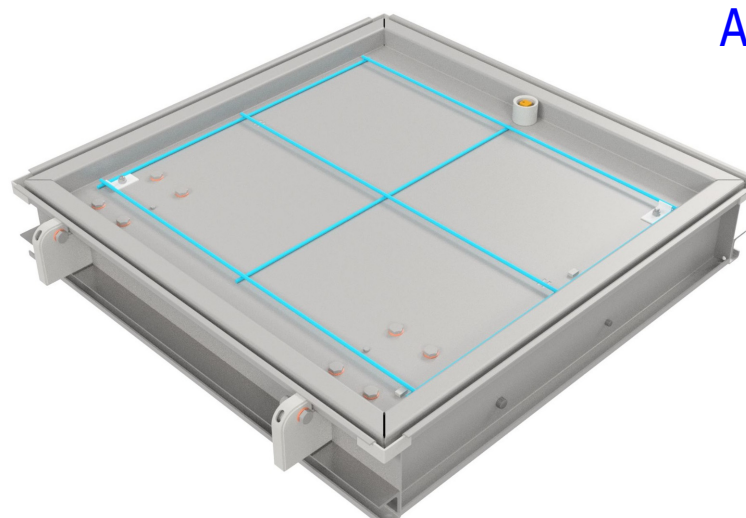
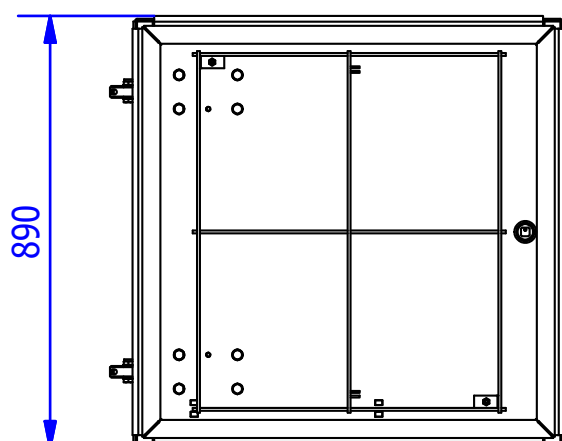
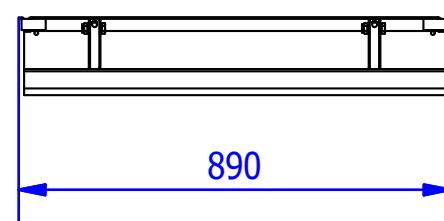
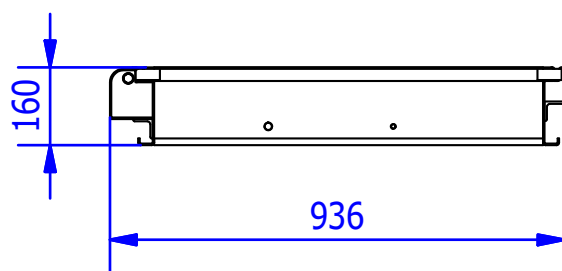
Access covers

TECHNICAL DATACARD

MANHOLE ENTRY COVER "A" 800 x 800 REDUCED HEIGHT CLASS B125



TYPE	WIDTH	LENGTH	HEIGHT	APPROXIMATE WEIGHT	FREE WIDE PASS
REFILLABLE	890 mm	936 mm	160 mm	65 Kg	800x800
WATERTIGHT.					
MADE OF CARBON STEEL S275JR/1.0044 AND TREATMENT ZINC Cr III + SEALED. / CORROSION CATEGORY C4.					
SAFETY LOCK SCREW IN ALUMINUM BRONZE / WITH SPECIAL SAFETY KEY.					
TOP TRAY COVER TRAY MADE IN FORM, TO SUIT DIFFERENT FINISHES IN YOUR INSTALLATION.					
SECURITY SYSTEM WITH INTEGRATED ARRESTOR (INCORPORATED).					
OPTIONS:					
ATTACK-PROOF (SAFETY LOCK).					
SAFETY GUARD / ANTIFALL GUARD WITH FRONT SIDE ACCESS DOOR, EPOXY PAINTED.					



Approx. weight 65 kg .