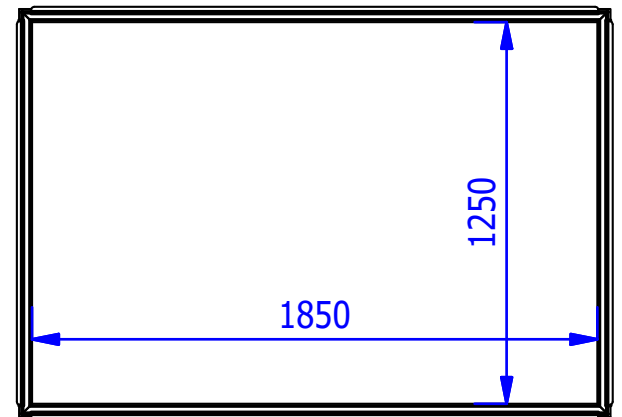
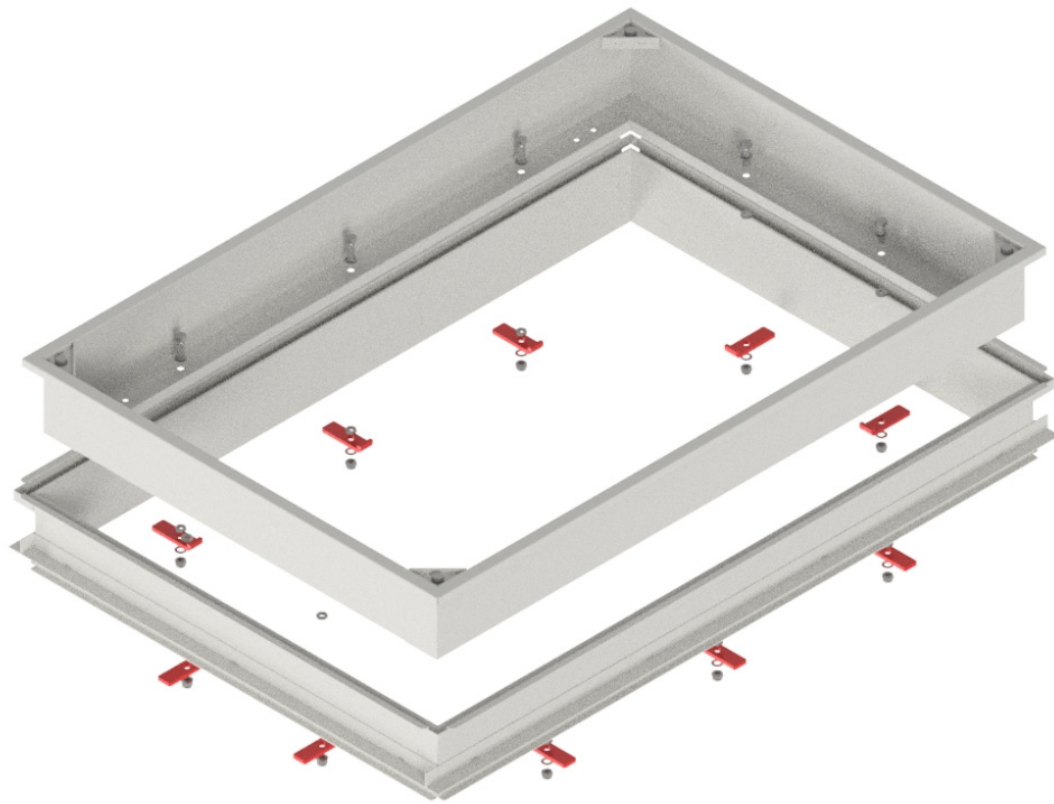


BARESLAN, S.L. Unipersonal

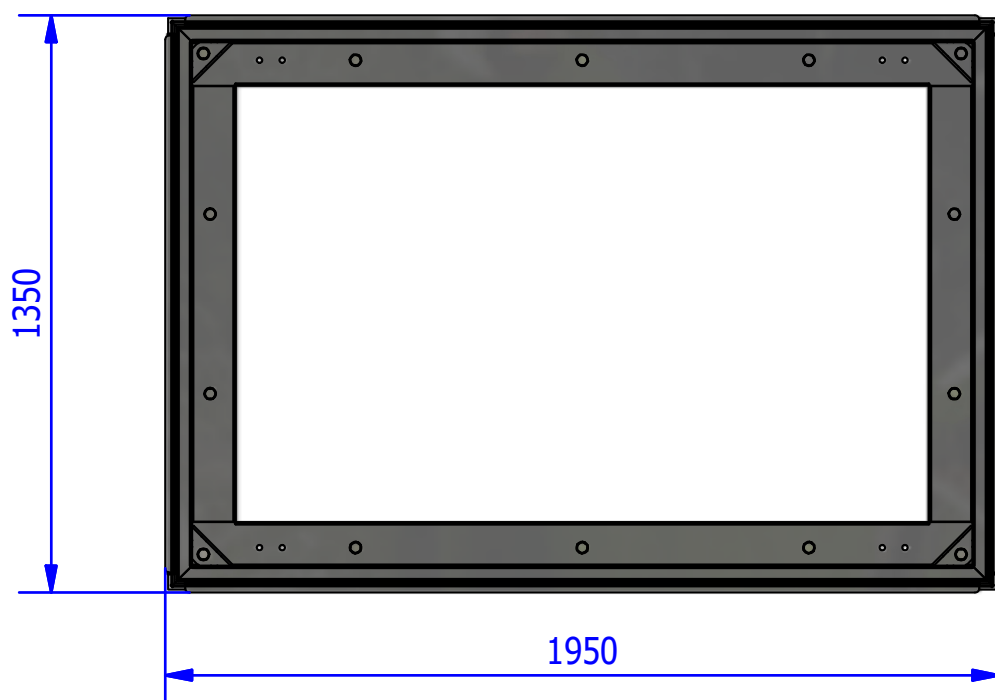
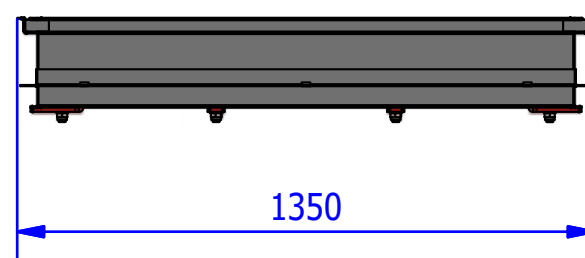
Access covers

TECHNICAL DATACARD

MATERIAL ENTRY COVER



WIDTH	LENGTH	HEIGHT	ESTIMATED WEIGHT	FREE WIDE PASS
1350 mm.	1950 mm	220 mm	115 Kg	1850x1250 mm.
WATERTIGHT				
MADE OF CARBON STEEL S275JR/1.0044 AND TREATMENT ZINC Cr III + SEALED. / CORROSION CATEGORY C4.				
CLOSURE SCREWS QUALITY 8.8				
FIXED COVER REFILLABLE				
OPTIONS::				
ADAPTED TO CUSTOMERS REQUEST. (LOGOS AND DISTINCTIVE)				
SPECIAL MEASURES				



Approx. weight . 115 kg.

